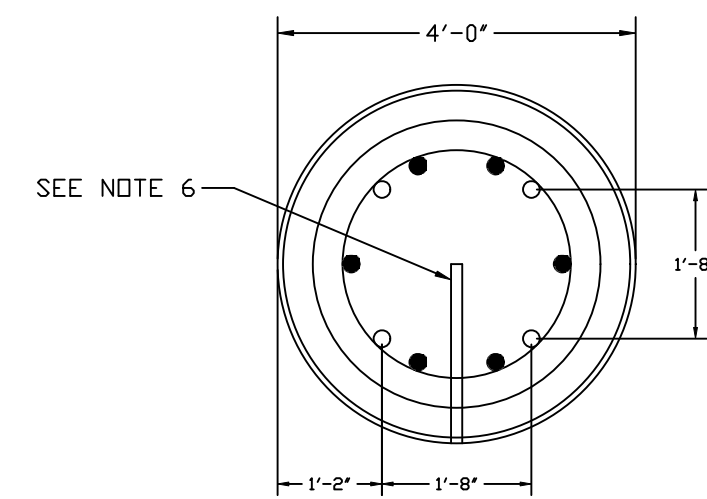


REINFORCING BAR SCHEDULE

MK	DEPTH "D"	#3 HOOPS BAR 1		#4 BAR 2	
		QTY.	WT.	QTY.	WT.
A5	5'-0"	6	15.89	12	46.75
A7	7'-0"	8	21.80	12	62.79
A8	8'-0"	9	23.85	12	70.80

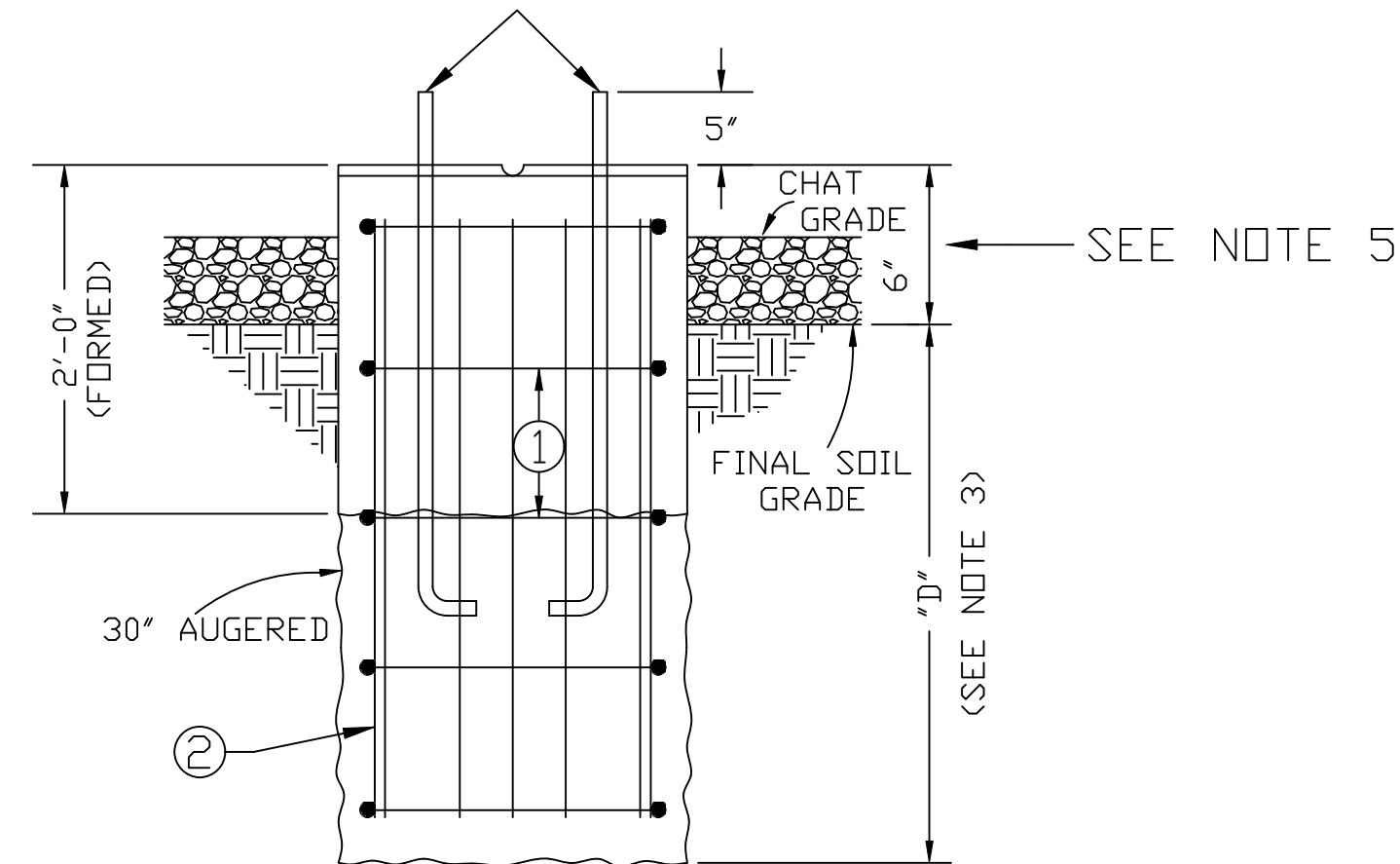
MATERIAL SCHEDULE		
MK	TOTAL STEEL WT.	CONCRETE Cu. Yds.
A5	62.65	1.10
A7	84.00	1.45
A8	94.65	1.65

ANCHOR BOLT SCHEDULE		
MT	DIA.	LENGTH
A5	1"	2'-7"
A7	1 1/4"	3'-10"
A8	1 1/4"	3'-10"

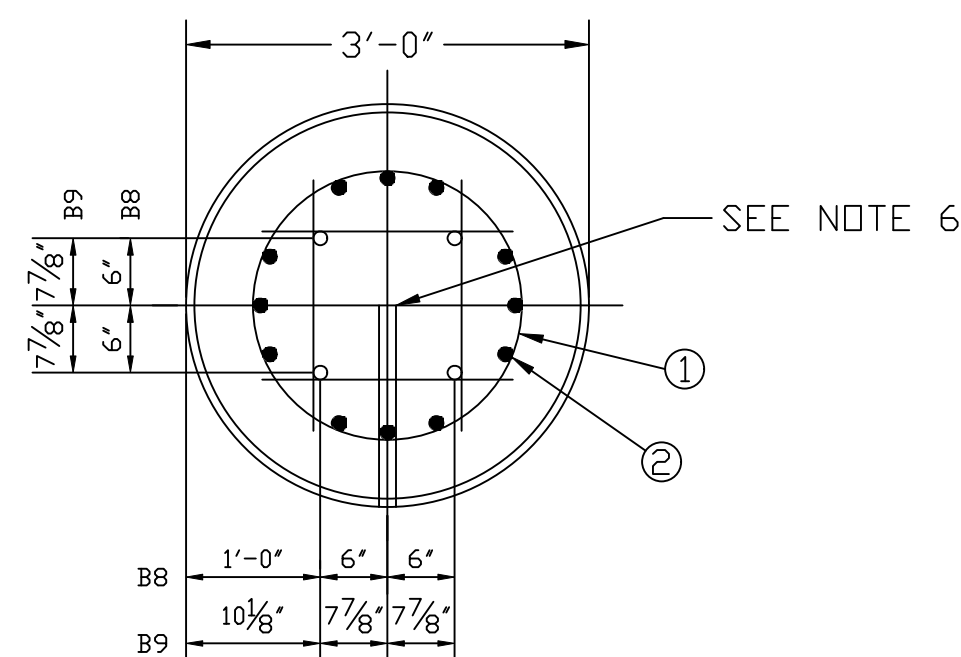


MK	QTY.	WT.	QTY.	WT.	TOTAL STEEL WT.	CONC. CU YDS.
C15	18	81.21	12	528.66	609.87	7.9

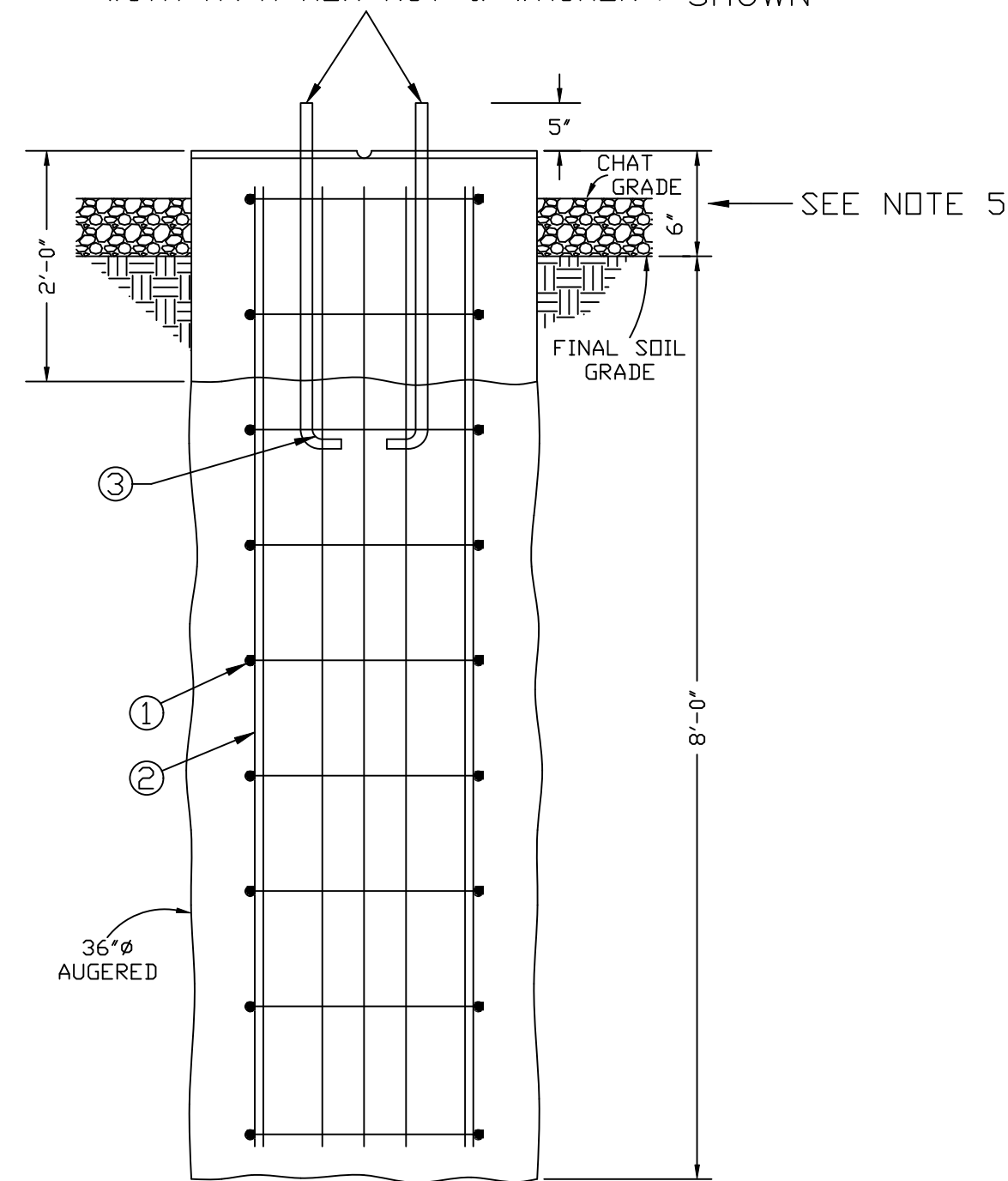
(4) SEE ANCHOR BOLT SCHEDULE



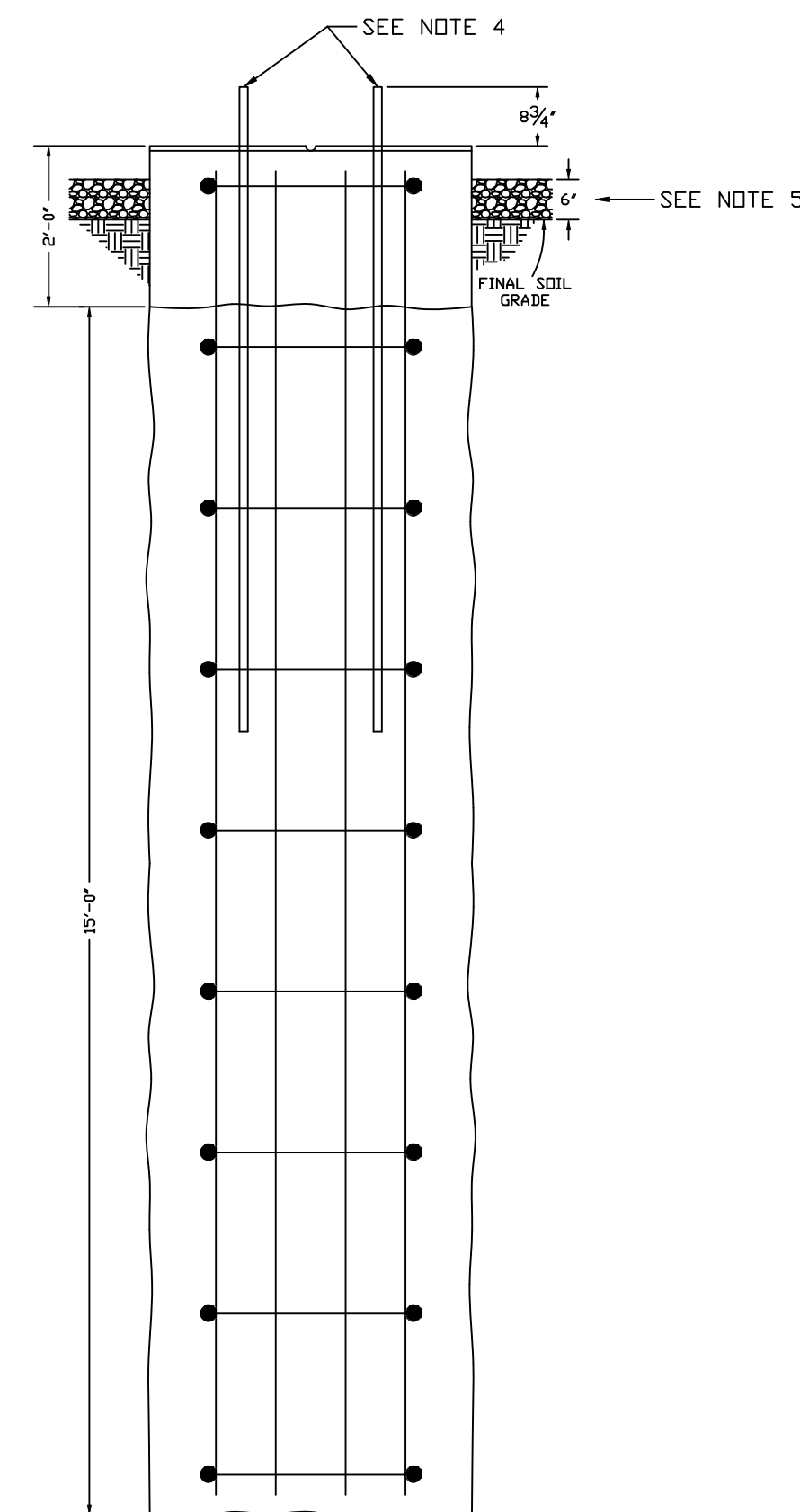
FOUNDATION "A"



1 1/4" ϕ x 3'-10" C.H.A.B., 4" BEND } B8 - SEE NOTE 9, 10
WITH HVY. HEX NUT & WASHER } SHOWN



FOUNDATION "B"



FOUNDATION "C"

NOTES:

1. MAINTAIN AT LEAST 3" BETWEEN BAR AND FACE OF CONCRETE.
2. ALL FOOTING EDGES ABOVE GROUND WILL HAVE A 3/4" CHAMFER UNLESS OTHERWISE NOTED.
3. DIMENSION "D" IS PROPOSED FOR INSTALLATIONS ON UNSTABLE SURFACES. ALL FOOTINGS MUST EXTEND TO SOLID UNDISTURBED EARTH.
4. ANCHOR BOLTS FOR FDN. "C" WILL BE CAGED (4) 2-1/4" x 8'-0" REBAR.
5. THIS DIMENSION VARIES BECAUSE OF GRADE. AVERAGE IS 10" ABOVE GRAVEL.
6. FINISH THE TOP WITH A 3/4" HALF-ROUND (CURVED-SIDE DOWN) FROM THE CENTER TO THE EDGE TO EFFECT A WATER DRAINAGE GROOVE.
7. ALL MATERIAL QUANTITIES ARE PER FOOTING AS SHOWN.
8. FOR TOP OF FOOTING ELEV. SEE PLAN.
9. ANCHOR BOLTS FOR B9 ARE 1" ϕ x 2'-7" CHAB WITH 4" BEND.
10. CONTRACTOR SHALL FURNISH ANCHOR BOLTS FOR FOUNDATION B9.

MATERIAL SCHEDULE

MK	#3 HOOP BAR 1		#4 BAR 2		#4 BAR 3	
	QTY.	WT.	QTY.	WT.	QTY.	WT.
B8	9	24.65	12	70.80	12	12.02
B9	9	24.65	12	70.80	12	12.02

CONCRETE CU. YDS. 2.35
TOTAL STEEL WT. 107.47

DESCRIPTION: ISSUED FOR BID						GRAND RIVER DAM AUTHORITY STILLWATER KINZIE SUBSTATION S351 STILLWATER, OKLAHOMA 138/69KV			
1	RF014-00611	29AUG14	BA	RC	BA	FOUNDATION DETAILS			
REV. NO.						GRDA P.O. BOX 669 CHOUTEAU, OK 74337			
JOB NO.						ENGINEER: BA DRAWN BY: RC CHECKED BY: BA APPROVED BY:			
DATE						SCALE: AS SHOWN DRAWING NO. S351PG31 OLD DRAWING NO.: D-1201			
DESIGN ENGR						DATE: 29AUG14 REV. 1			
DFTR									
DESIGN CHECK									
ISSUE APPRVD									