

Clarification or Amendment of Solicitation

Date of Issuance: 05/29/2024

¹Solicitation No. 1461

Purchase Request No. 3607

Clarification or Amendment No. 4

Solicitation due date and hours of offers is changed: No Yes, to: _____ CST/CDT

This document shall serve as official notice of ²Clarification or ³Amendment to the Solicitation identified above. Such notice is being provided to all vendors to which the original solicitation was sent. When a change(s) made to the solicitation materially impact a priced offer by vendors, vendors are to ensure that priced offer is accurate and reflects a change(s) identified in the amendment.

ISSUED BY:

Grand River Dam Authority
Purchasing Unit
PO Box 669
Chouteau, OK 74337

Jennifer Kerns Procurement Specialist
Contracting and Acquisitions Agent
918-960-2433
Phone Number
Jennifer.kerns@grda.com
E-Mail Address

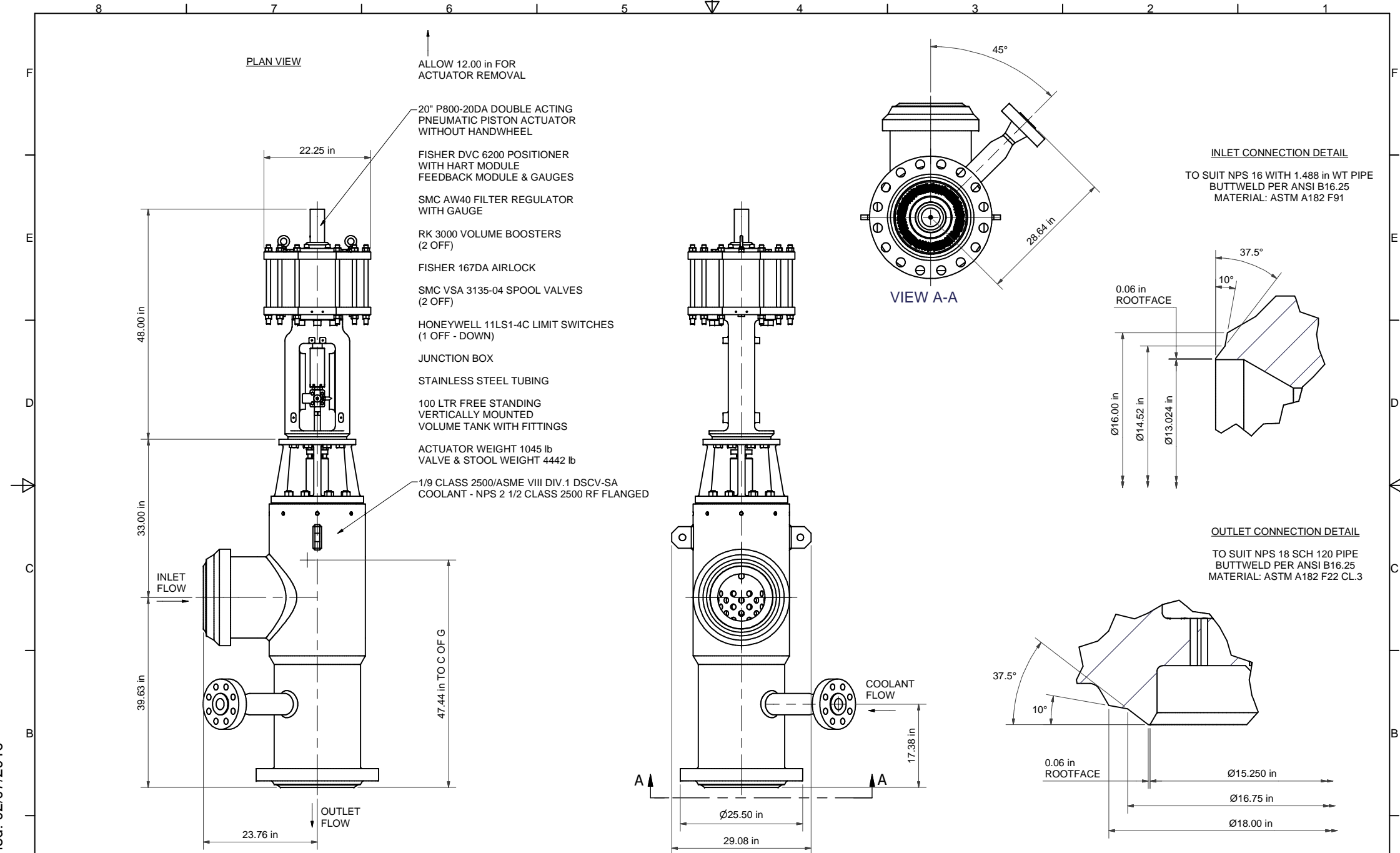
Description of Amendment or Clarification:

a. This is to incorporate the following (this box expands based on size of text):

Amendment to Solicitation 4: Field has provided drawings for reference.

b. All other terms and conditions remain unchanged.

1. Solicitation means a request or invitation by GRDA for a vendor to submit a priced offer to sell acquisitions to GRDA. A solicitation may be a Request for Quote (RFQ), an Invitation to Bid (ITB), or a Request for Proposal (RFP).
2. Clarification to a solicitation means an additional explanation of all or part of a solicitation that does not change, alter, or supplement the solicitation.
3. An amendment to a solicitation means a written change, addition, correction, or revision to a solicitation.



THIS DRAWING IS THE PROPERTY OF COPES-VULCAN AND MAY NOT BE USED WITHOUT THE EXPRESS PERMISSION AND LICENSE OF COPES-VULCAN

GENERAL ARRANGEMENT DRAWING OF 1/9 CLASS 2500/ASME VIII DIV.1 DSCV-SA WITH 20" PNEUMATIC PISTON ACTUATOR

**DO NOT SCALE
IF IN DOUBT - ASK !**

CUSTOMER NAME KIEWIT POWER ENGINEERS
PROJECT NAME GRDA CHOTEAU U3 495MW 1X1 CC REPOWER
CUSTOMER PO No -
CUSTOMER TAG No 03-PCV-020603
VENDOR NAME COPES VULCAN, WINSFORD ENGLAND
VENDOR JOB No 2029558
VENDOR SERIAL No 100003020027
ITEM DESCRIPTION HP TURBINE BYPASS

ISS	MODIFICATION NUMBER	DATE	BY	SCALE	DRAWN	NJD
01	CVW14779	13-08-15	NJD			
02	UPDATED	08-09-15	NJD		CHECKED	CMN
03	TAG REF ADDED TO SHTS 3 & 4. NOTE ADDED TO SHT 4.	22/10/15	CMN	USED ON	2029558	APPROVED
04	CVW15024. PNEUMATIC HOOK UP REVISED	12/01/16	CMN	DATE	30-07-15	TRACED

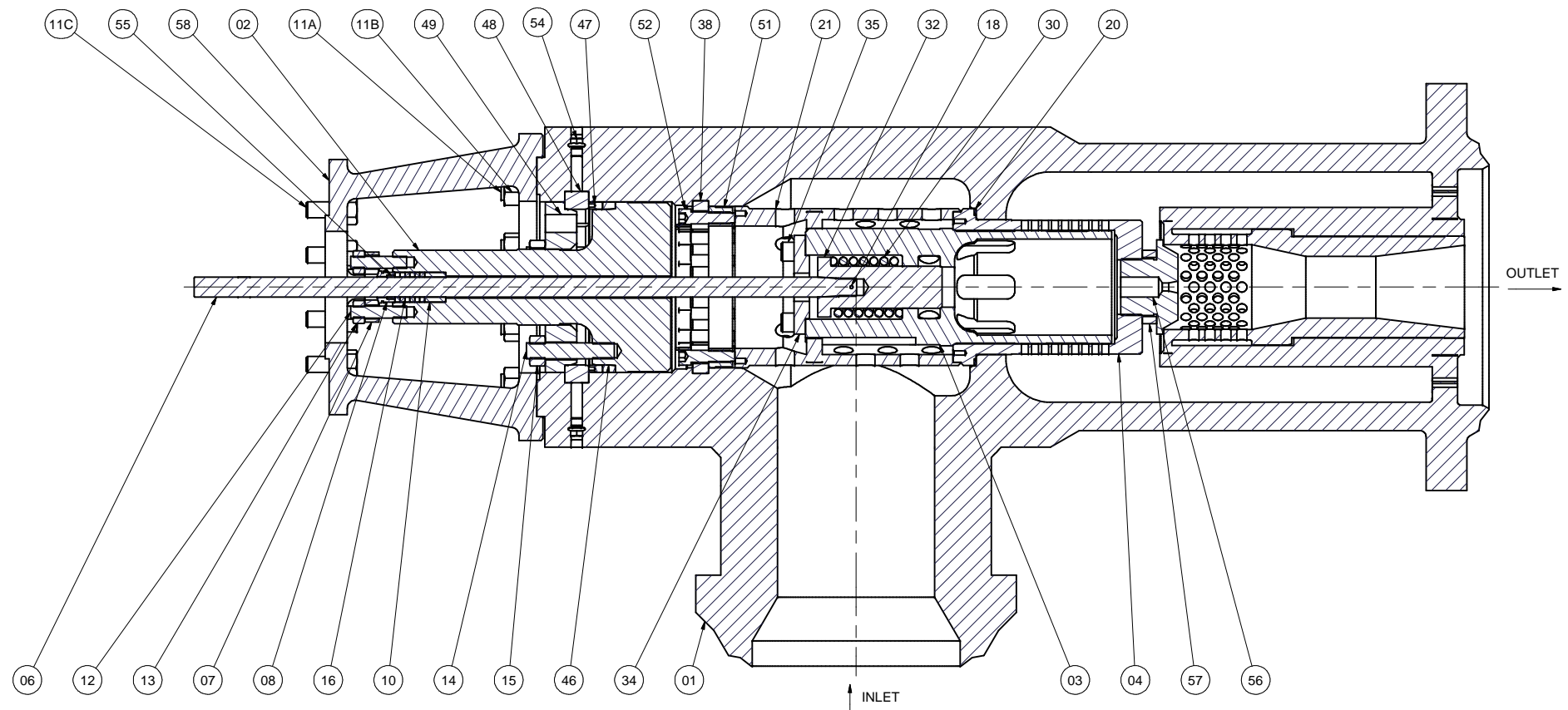
**COPES-VULCAN
AN SPX BRAND**

DRAWING NO **CD100003020027**

1 OF 4
ISSUE 04

Parts List				Parts List			
ITEM	QTY	PART NUMBER	TITLE	ITEM	QTY	PART NUMBER	TITLE
01	1	C42318-AQA	BODY	21	1	C39802-AQA	TRIM SPACER
02	1	C40857-WVMAZ	PRESSURE SEAL BONNET	30	1	C30464-BPP	SPRING
03	1	C39341-XHY	PLUNGER	32	1	C40319-XMC	TANDEM PLUG
04	1	C39706-XHY	CAGE	34	1	C40320-XHE	TANDEM CAP
06	1	C40859-XVM	STEM	35	6	U06-784HR	SHCS
07	1	C17304-XSD	GLAND BRIDGE	38	1	C33044-XVM	SPLIT RING
08	1	C28374-XMK	GLAND FOLLOWER	46	1	C22971UBPP	PRESSURE SEAL RING
10	1	C28373-BPP	GLAND WASHER	47	1	C30451-XMA	PRESSURE SEAL SPACER
11A	8	U01-404HP	STUD	48	1	C30452-XMK	PRESSURE SEAL SPLIT RING
11B	8	U09-040HQ	NUT	49	1	C32898-XHE	PRESSURE SEAL PRECOMPRESSION RING
11C	8	U03-406HR	HHSS				
12	2	U01-312TS	STUD	51	1	C38697-XVM	RETAINING RING
13	2	U09-030TV	NUT	52	1	C38698-AQA	LOCKING SCREW
14	3	U01-412HR	STUD	54	8	U33-112	HEX HEAD PLUG
15	3	U09-040HS	NUT	55	1	C28375-BPP	GLAND FOLLOWER BUSH
16	1	C16431-BPP	PACKING	56	1	C42327-ZSH	ATOMISER NOZZLE
18	1	U20-169	SPIROL PIN	57	1	C34554-XSH	ATOMISER SPACER
20	1	C30469-BPP	GASKET	58	1	C35055-ZXY	STOOL

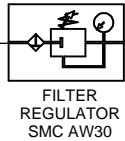
SEE RECOMMENDED SPARES LIST FOR SPARE PARTS



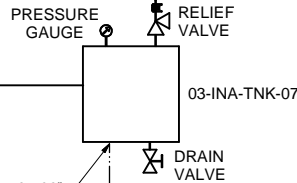
THIS DRAWING IS THE PROPERTY OF COPES-VULCAN AND MAY NOT BE USED WITHOUT THE EXPRESS PERMISSION AND LICENSE OF COPES-VULCAN DO NOT SCALE IF IN DOUBT - ASK !	CROSS SECTION DRAWING OF 1/9 CLASS 2500/ASME VIII DIV.1 DSCV-SA	CUSTOMER NAME KIEWIT POWER ENGINEERS	ISS 01	MODIFICATION NUMBER CVW14779	DATE 13-08-15	BY NJD	SCALE 	DRAWN NJD	CHECKED CMN	COPES-VULCAN AN SPX BRAND	2 OF 4 ISSUE 04
		PROJECT NAME GRDA CHOTEAU U3.495MW 1X1 CC REPOWER	CUSTOMER PO No 03-PCV-020603	CUSTOMER TAG No COPES VULCAN, WINSFORD	USED ON 2029558	DATE 30-07-15	TRACED 	DRAWING NO CD100003020027			
		VENDOR JOB No 100003020027									
		VENDOR SERIAL No HP TURBINE BYPASS									

Approved - Returned: 02/07/2016

AIR SUPPLY
60.00 psi.g
0.250" NPT (F)



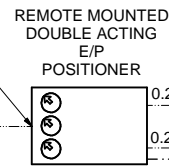
NON RETURN VALVE



NOMENCLATURE

- 0.38" PIPE
- 0.50" PIPE
- - - CUSTOMER SUPPLY

AIR SUPPLY
60.00 psi.g
0.500" NPT (F)



SIGNAL
HART
FEEDBACK
4-20mA
M20x1.5(F)

VOLUME BOOSTER

0.500" NPT (F)

0.500" NPT (F)

SPOOL VALVE

DOUBLE ACTING PISTON ACTUATOR

QUICK EXHAUST VALVE

SPEED CONTROLLER



0.250" NPT (F)

0.250" NPT (F)

0.250" NPT (F)

0.500" NPT (F)

VOLUME BOOSTER

VENT

SPOOL VALVE

QUICK EXHAUST VALVE

SPEED CONTROLLER



LIMIT SWITCH
CURRENT 10A
0.500" NPT (F)

THIS DRAWING IS THE PROPERTY OF COPES-VULCAN AND MAY NOT BE USED WITHOUT THE EXPRESS PERMISSION AND LICENSE OF COPES-VULCAN

**DO NOT SCALE
IF IN DOUBT - ASK !**

PNEUMATIC HOOK UP OF 20DA P800 ACTUATOR

CUSTOMER NAME KIEWIT POWER ENGINEERS
PROJECT NAME GRDA CHOTEAU U3.495MW 1X1 CC REPOWER
CUSTOMER PO No -
CUSTOMER TAG No 03-PCV-020603
VENDOR NAME COPES VULCAN, WINSFORD ENGLAND
VENDOR JOB No 2029558
VENDOR SERIAL No 100003020027
ITEM DESCRIPTION HP TURBINE BYPASS VALVE

ISS	MODIFICATION NUMBER	DATE	BY	SCALE	DRAWN	NJD
01	CVW14779	13-08-15	NJD			
02	UPDATED	08-09-15	NJD			
03	TAG REF ADDED TO SHTS 3 & 4. NOTE ADDED TO SH4.	22/10/15	CMN		2029558	APPROVED
04	CVW15024: PNEUMATIC HOOK UP REVISED	12/01/16	CMN			

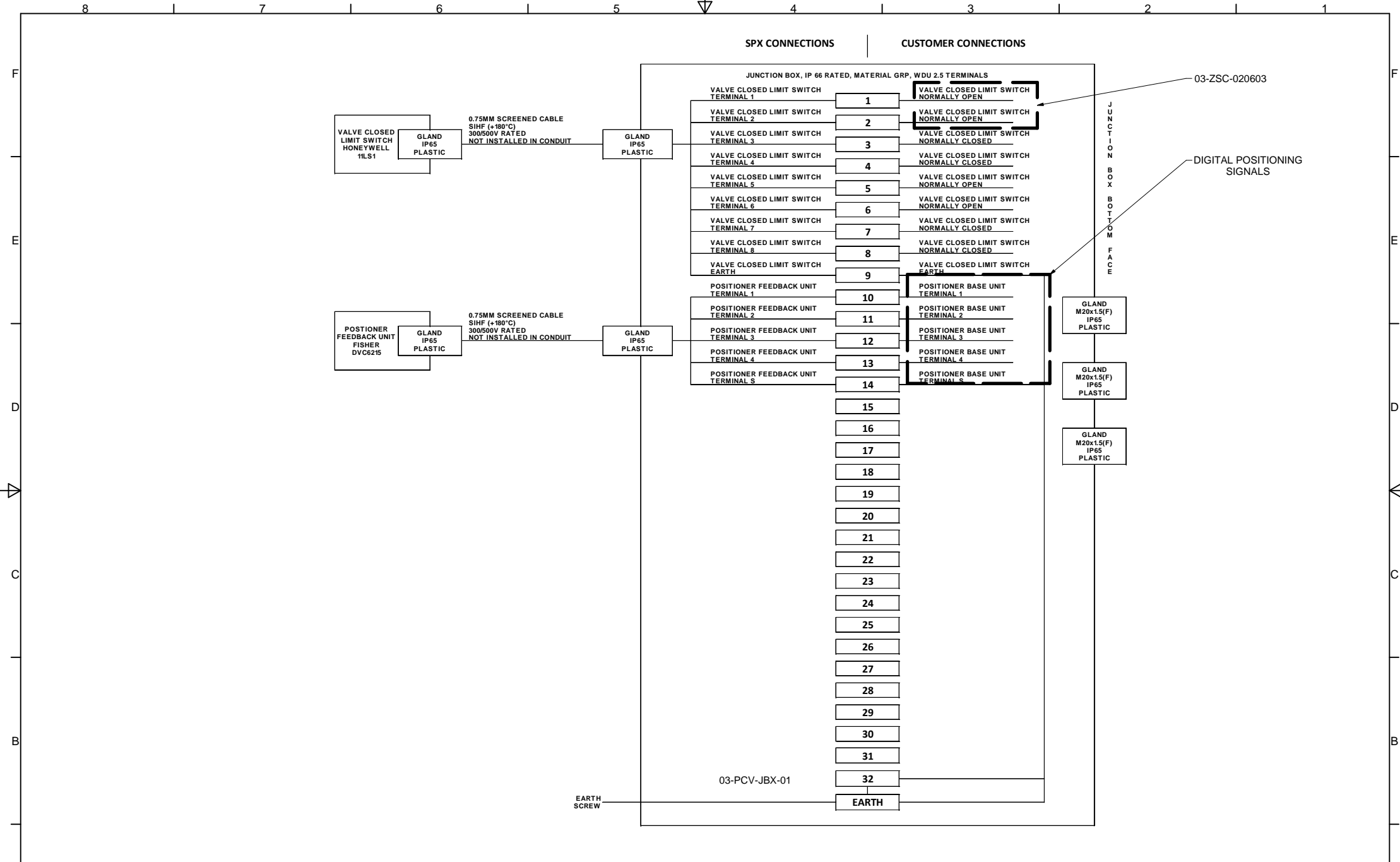
DATE	TRACED
30-07-15	

**COPES-VULCAN
AN SPX BRAND**

DRAWING NO **CD1000003020027**

3 OF 4
ISSUE 04

Approved - Returned: 02/07/2016



THIS DRAWING IS THE PROPERTY OF COPES-VULCAN AND MAY NOT BE USED WITHOUT THE EXPRESS PERMISSION AND LICENSE OF COPES-VULCAN

DO NOT SCALE IF IN DOUBT - ASK !

WIRING OF 1/9 CLASS 2500/ASME VIII DIV.1 DSCV-SA WITH 20 DA PISTON ACTUATOR

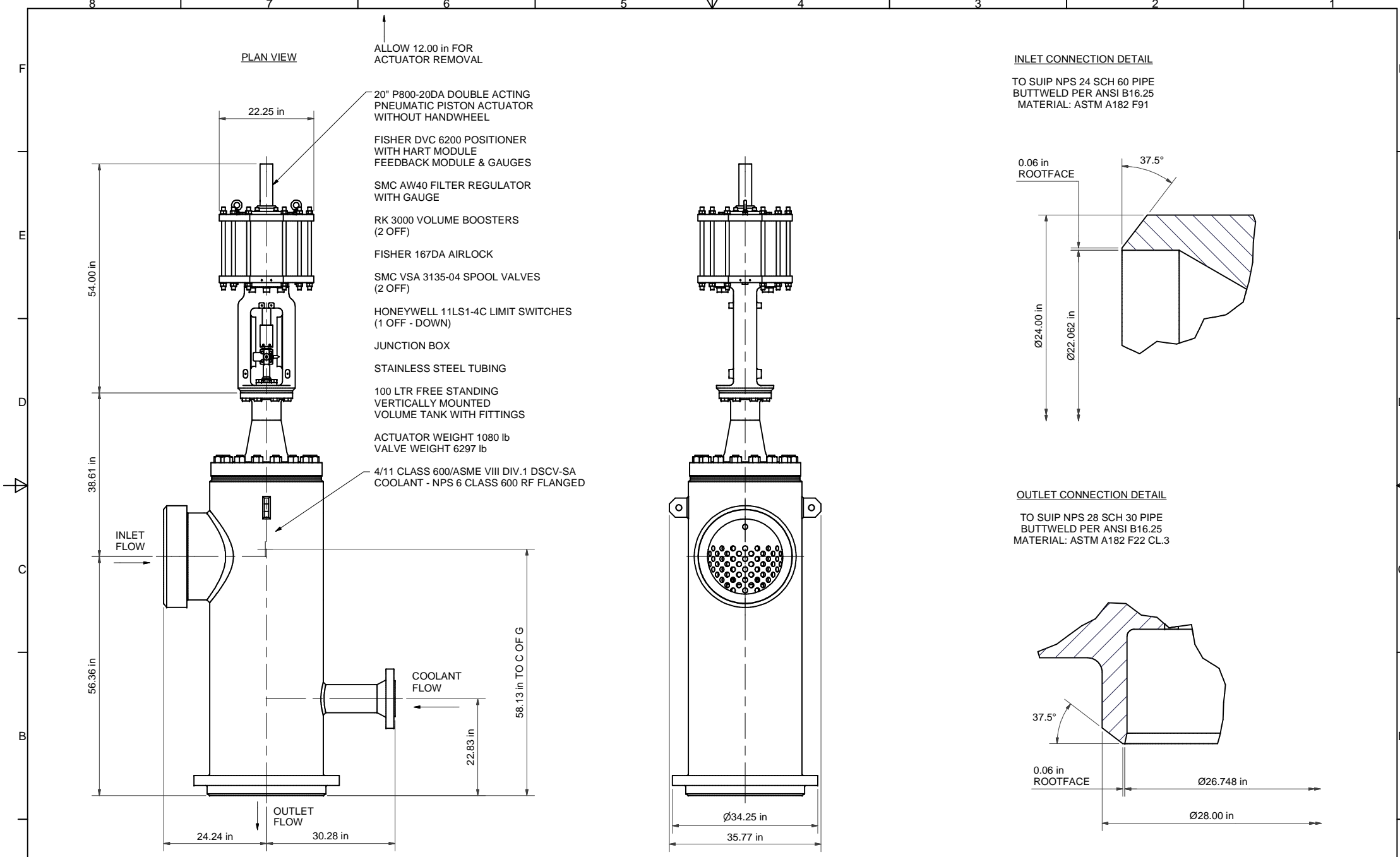
CUSTOMER NAME: KIEWIT POWER ENGINEERS
 PROJECT NAME: GRDA CHOTEAU U3 495MMW 1X1 CC REPOWER
 CUSTOMER PO No: -
 CUSTOMER TAG No: 03-PCV-020603
 VENDOR NAME: COPES VULCAN, WINSFORD ENGLAND
 VENDOR JOB No: 2029558
 VENDOR SERIAL No: 100003020027
 ITEM DESCRIPTION: HP TURBINE BYPASS

ISS	MODIFICATION NUMBER	DATE	BY	SCALE	DRAWN	NJD
01	CVW14779	13-08-15	NJD			
02	UPDATED	08-09-15	NJD		CHECKED	CMN
03	TAG REF ADDED TO SHTS 3 & 4. NOTE ADDED TO SHT 4.	22/10/15	CMN	USED ON	2029558	APPROVED
04	CVW15024 PNEUMATIC HOOK UP REVISED	12/01/16	CMN	DATE	30-07-15	TRACED

COPES-VULCAN AN SPX BRAND

DRAWING NO **CD100003020027** 4 OF 4 ISSUE 04

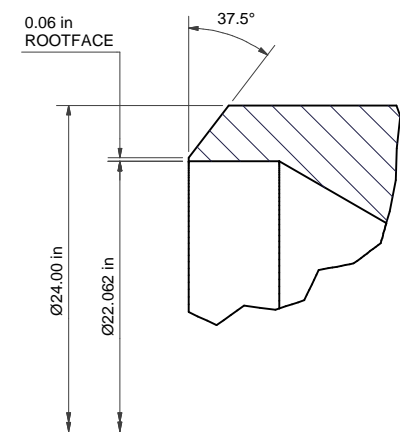
Approved - Returned: 02/07/2016



ALLOW 12.00 in FOR ACTUATOR REMOVAL

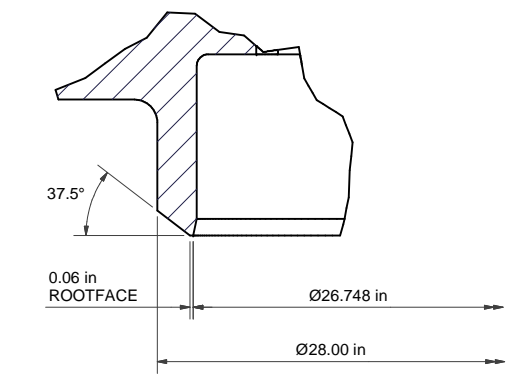
INLET CONNECTION DETAIL

TO SUIP NPS 24 SCH 60 PIPE
BUTT WELD PER ANSI B16.25
MATERIAL: ASTM A182 F91



OUTLET CONNECTION DETAIL

TO SUIP NPS 28 SCH 30 PIPE
BUTT WELD PER ANSI B16.25
MATERIAL: ASTM A182 F22 CL.3



THIS DRAWING IS THE PROPERTY OF COPES-VULCAN AND MAY NOT BE USED WITHOUT THE EXPRESS PERMISSION AND LICENSE OF COPES-VULCAN

DO NOT SCALE IF IN DOUBT - ASK !

GENERAL ARRANGEMENT DRAWING OF 4/11 CLASS 600/ASME VIII DIV.1 DSCV-SA WITH 20" PNEUMATIC PISTON ACTUATOR

CUSTOMER NAME: KIEWIT POWER ENGINEERS
PROJECT NAME: GRDA CHOTEAU U3 495MW 1X1 CC REPOWER
CUSTOMER PO No: -
CUSTOMER TAG No: 03-PCV-032603
VENDOR NAME: COPES VULCAN, WINSFORD ENGLAND
VENDOR JOB No: 2029558
VENDOR SERIAL No: 1000003020029
ITEM DESCRIPTION: HRH TURBINE BYPASS

ISS	MODIFICATION NUMBER	DATE	BY	SCALE	DRAWN	NJD
01	CVW14780	13-08-15	NJD			
02	UPDATED	08-09-15	NJD			
03	CVW15024, PNEUMATIC HOOK UP REVISED	12/01/16	CMN			

MATL	CHECKED	CMN
USED ON	2029558	APPROVED
DATE	31-07-15	TRACED

COPES-VULCAN AN SPX BRAND

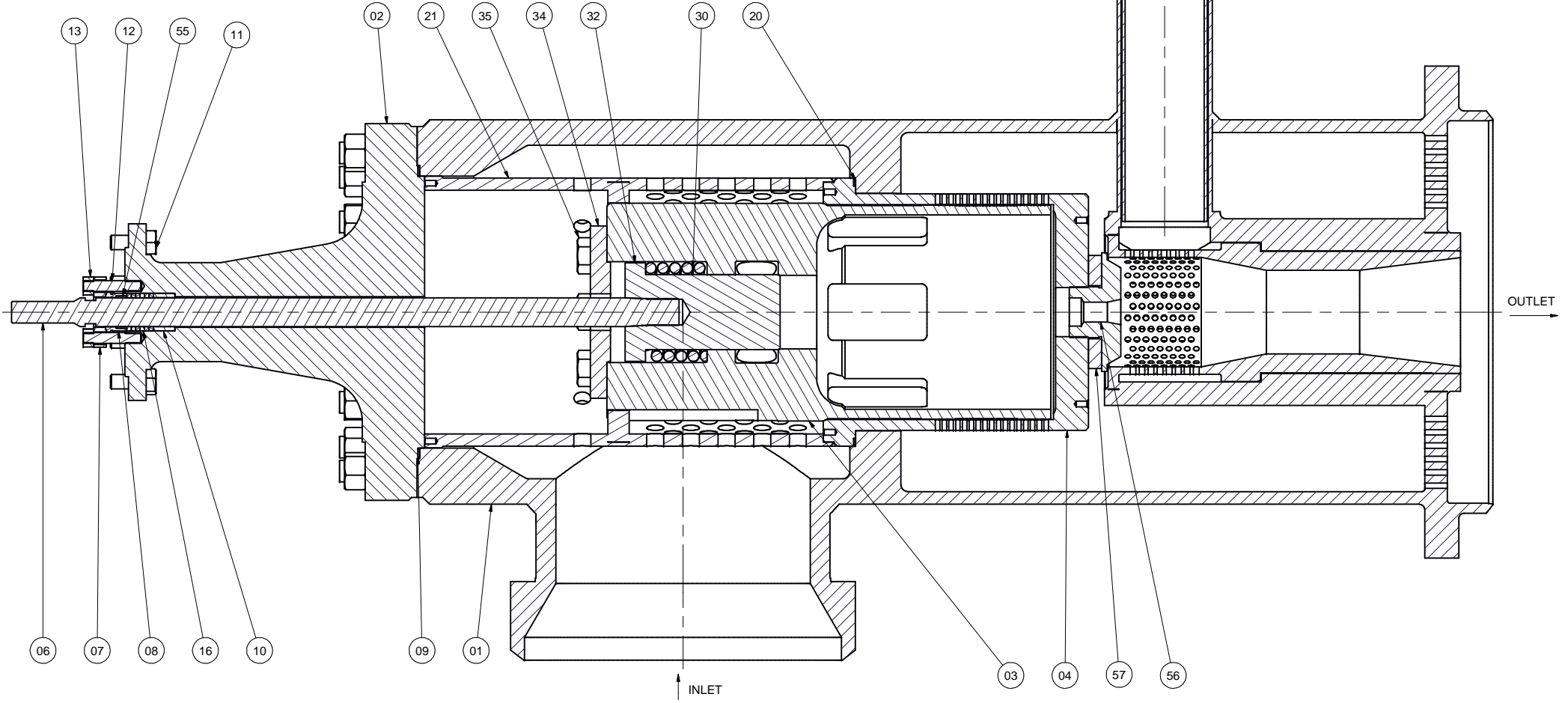
DRAWING NO: **CD1000003020029**

1 OF 4
ISSUE 03

Approved - Returned: 02/07/2016

Parts List				Parts List			
ITEM	QTY	PART NUMBER	TITLE	ITEM	QTY	PART NUMBER	TITLE
01	1	C42347-AQA	BODY	15	16	U09-061RP	NUT
02	1	C40142-WVLAZ	BONNET	16	1	C31939-BPP	GLAND PACKING
03	1	C40091-XHY	PLUNGER	20	1	U22-373	GASKET
04	1	C40087-XHY	CAGE	21	1	C40098-AQM	TRIM SPACER
06	1	C41186-XVM	STEM	30	1	U25-703	SPRING
07	1	C26037-XSH	GLAND BRIDGE	32	1	C40088-XMC	TANDEM PLUG
08	1	C34553-XMK	GLAND FOLLOWER	34	1	C40092-XHE	TANDEM CAP
09	1	U22-374	GASKET	35	6	U03-763	HEXAGON HEAD SETSCREW
10	1	C34551-BPP	GLAND WASHER	55	1	C34552-BPP	GLAND FOLLOWER BUSH
11	8	U03-406HR	HHSS	56	1	C42367-ZSH	ATOMISER NOZZLE
12	4	U01-316TS	STUD	57	1	C42299-XSH	ATOMISER SPACER
13	4	U09-030TV	NUT				
14	16	U01-615RN	STUD				

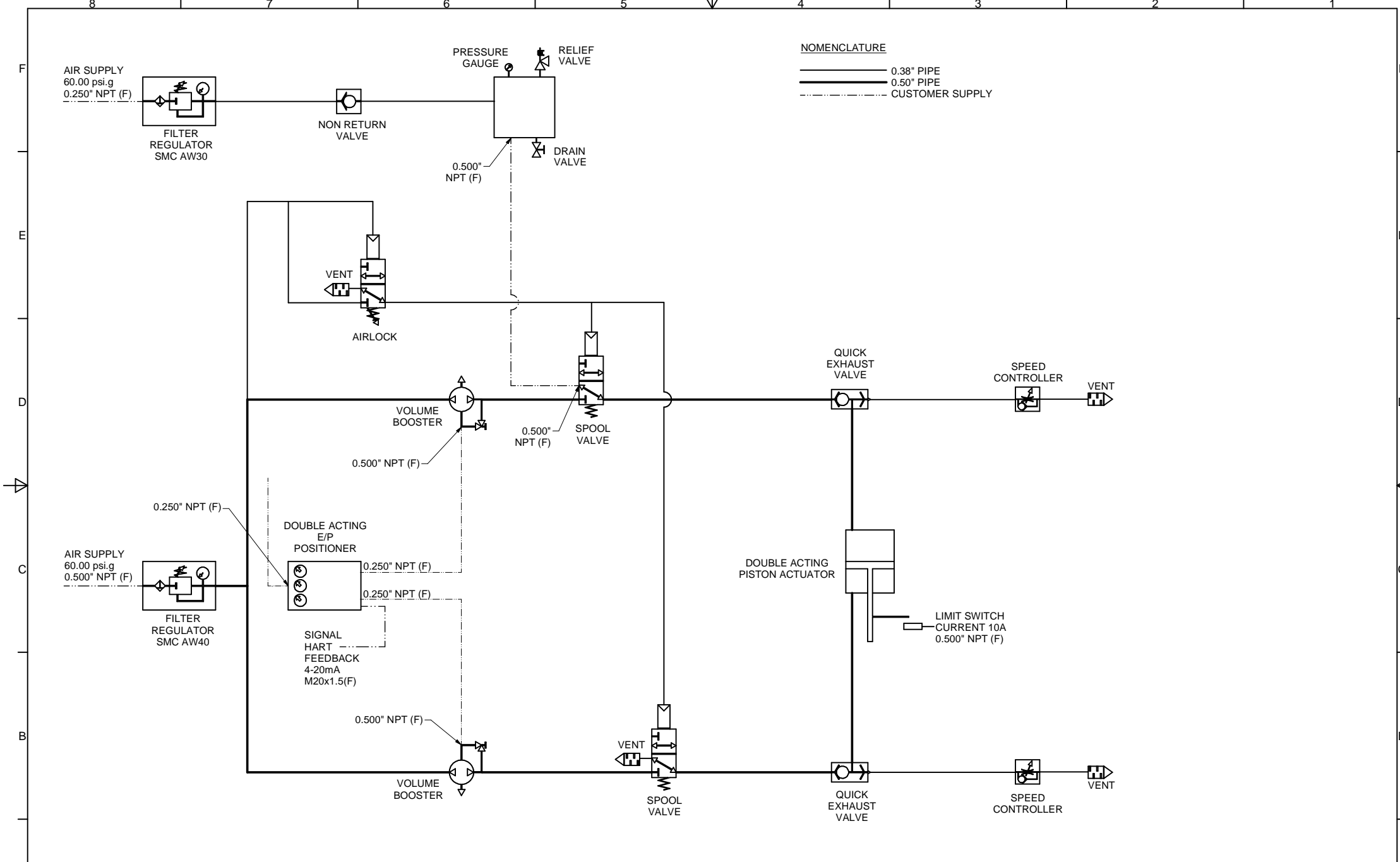
SEE RECOMMENDED SPARES LIST FOR SPARE PARTS



THIS DRAWING IS THE PROPERTY OF COPES-VULCAN AND MAY NOT BE USED WITHOUT THE EXPRESS PERMISSION AND LICENSE OF COPES-VULCAN DO NOT SCALE IF IN DOUBT - ASK !	CROSS SECTION DRAWING OF 4/11 CLASS 600/ASME VIII DIV.1 DSCV-SA	CUSTOMER NAME KIEWIT POWER ENGINEERS	ISS	MODIFICATION NUMBER	DATE	BY	SCALE	DRAWN	NJD
		PROJECT NAME GRDA CHOTEAU U3 495MW 1X1 CC REPOWER	01	CVW14780	13-08-15	NJD			
		CUSTOMER PO No CUSTOMER TAG No VENDOR NAME 03-PCV-032603 COPES VULCAN, WINSFORD ENGLAND 2029558	02	UPDATED	08-09-15	NJD			
		VENDOR JOB No VENDOR SERIAL No ITEM DESCRIPTION 1000003020029 HRH TURBINE BYPASS	03	CVW15024 PNEUMATIC HOOK UP REVISED	12/01/16	CMN	2029558	APPROVED	
					DATE	31-07-15	TRACED		
			DRAWING NO		CD1000003020029		2 OF 4		ISSUE 03

COPES-VULCAN
AN SPX BRAND

Approved - Returned: 02/07/2016



NOMENCLATURE

———— 0.38" PIPE
 =———— 0.50" PIPE
 - - - - - CUSTOMER SUPPLY

THIS DRAWING IS THE PROPERTY OF COPES-VULCAN AND MAY NOT BE USED WITHOUT THE EXPRESS PERMISSION AND LICENSE OF COPES-VULCAN

DO NOT SCALE IF IN DOUBT - ASK !

PNEUMATIC HOOK UP OF 20DA P800 ACTUATOR

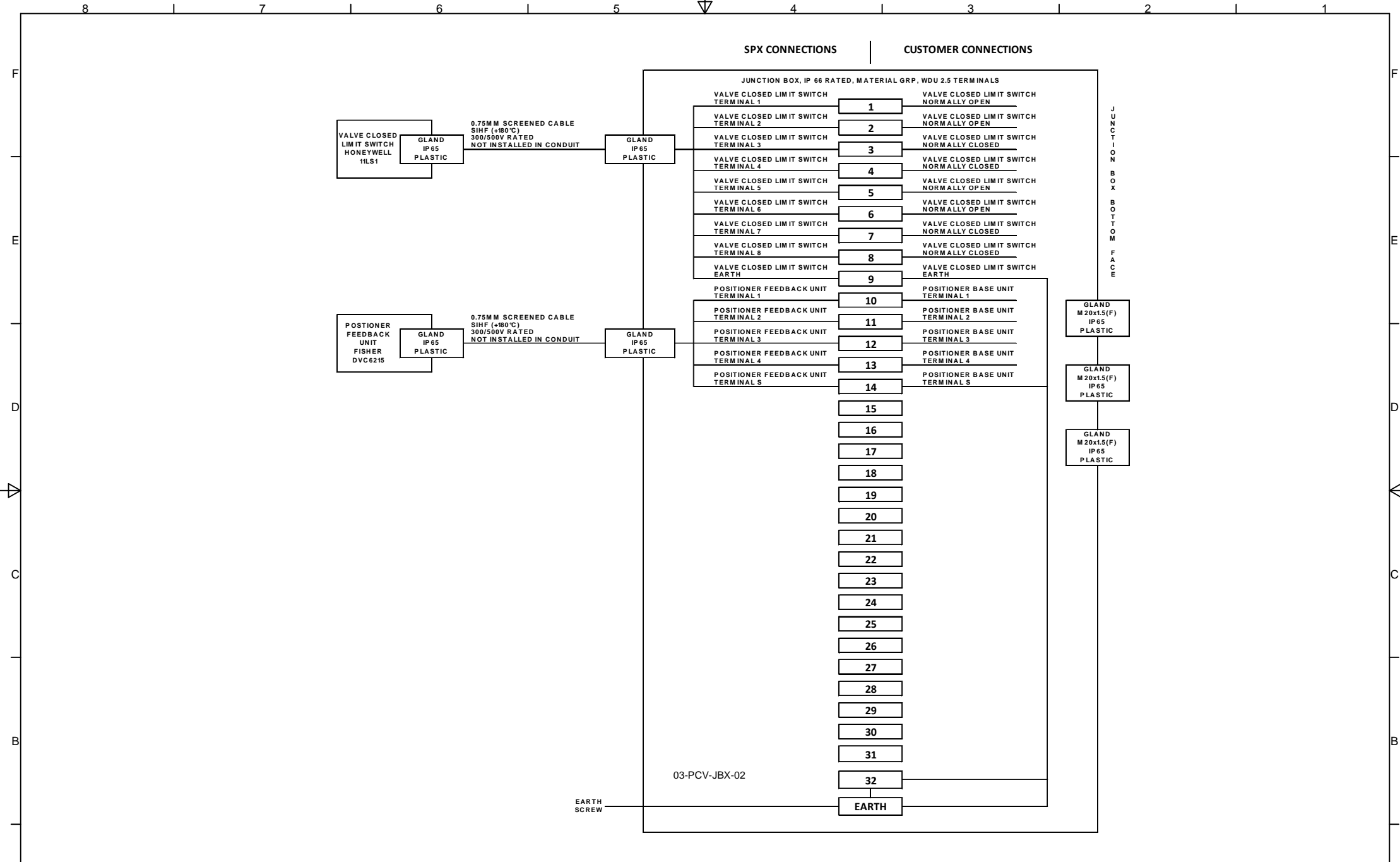
CUSTOMER NAME: KIEWIT POWER ENGINEERS
 PROJECT NAME: GRDA CHOTEAU U3.495MW 1X1 CC REPOWER
 CUSTOMER PO No: -
 CUSTOMER TAG No: 03-PCV-032603
 VENDOR NAME: COPES VULCAN, WINSFORD ENGLAND 2029558
 VENDOR JOB No: 1000003020029
 VENDOR SERIAL No: HRH TURBINE BYPASS VALVE

ISS	MODIFICATION NUMBER	DATE	BY	SCALE	DRAWN	NJD
01	CVW14780	13-08-15	NJD	—	—	—
02	UPDATED	08-09-15	NJD	MATL	—	CHECKED CMN
03	CVW15024, PNEUMATIC HOOK UP REVISED	12/01/16	CMN	USED ON	2029558	APPROVED
				DATE	31-07-15	TRACED

COPES-VULCAN
 AN SPX BRAND

DRAWING NO: **CD1000003020029** 3 OF 4
 ISSUE 03

Approved - Returned: 02/07/2016



THIS DRAWING IS THE PROPERTY OF COPES-VULCAN AND MAY NOT BE USED WITHOUT THE EXPRESS PERMISSION AND LICENSE OF COPES-VULCAN

DO NOT SCALE IF IN DOUBT - ASK !

WIRING OF 4/11 CLASS 600/ASME VIII DIV.1 DSCV-SA WITH 20 DA PISTON ACTUATOR

CUSTOMER NAME KIEWIT POWER ENGINEERS
PROJECT NAME GRDA CHOTEAU U3 495MW 1X1 CC REPOWER
CUSTOMER PO No -
CUSTOMER TAG No 03-PCV-032603
VENDOR NAME COPES VULCAN, WINSFORD ENGLAND
VENDOR JOB No 2029558
VENDOR SERIAL No 100003020029
ITEM DESCRIPTION HRH TURBINE BYPASS

ISS	MODIFICATION NUMBER	DATE	BY
01	CVW14780	13-08-15	NJD
02	UPDATED	08-09-15	NJD
03	CVW15024, PNEUMATIC HOOK UP REVISED	12/01/16	CMN

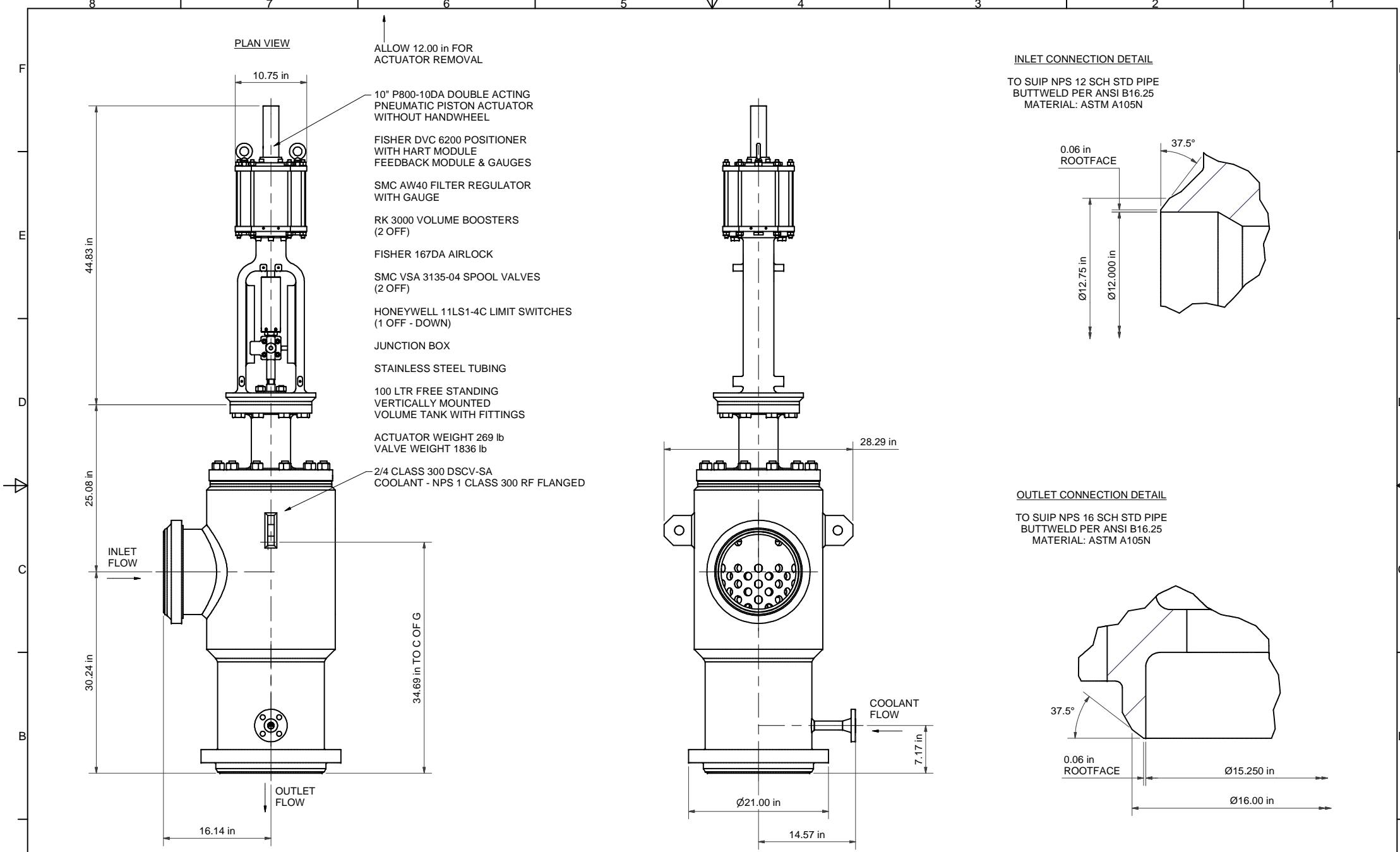
SCALE	DRAWN	CHECKED	APPROVED
---	NJD	CMN	---
MATL	---	---	---
USED ON	2029558	---	---
DATE	31-07-15	TRACED	---

COPES-VULCAN AN SPX BRAND

DRAWING NO **CD100003020029**

4 OF 4
ISSUE 03

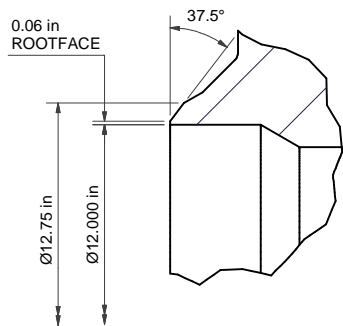
Approved - Returned: 02/07/2016



↑ ALLOW 12.00 in FOR ACTUATOR REMOVAL

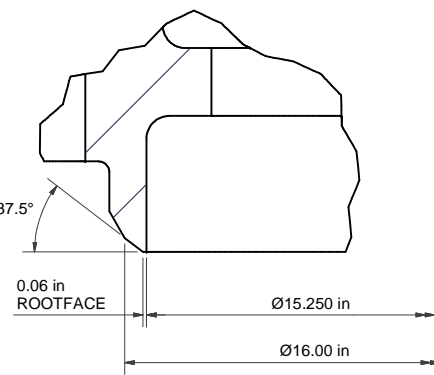
INLET CONNECTION DETAIL

TO SUIP NPS 12 SCH STD PIPE
BUTT WELD PER ANSI B16.25
MATERIAL: ASTM A105N



OUTLET CONNECTION DETAIL

TO SUIP NPS 16 SCH STD PIPE
BUTT WELD PER ANSI B16.25
MATERIAL: ASTM A105N



THIS DRAWING IS THE PROPERTY OF COPES-VULCAN AND MAY NOT BE USED WITHOUT THE EXPRESS PERMISSION AND LICENSE OF COPES-VULCAN

DO NOT SCALE IF IN DOUBT - ASK !

GENERAL ARRANGEMENT DRAWING OF 2/4 CLASS 300 DSCV-SA WITH 10" PNEUMATIC PISTON ACTUATOR

CUSTOMER NAME: KIEWIT POWER ENGINEERS
PROJECT NAME: GRDA CHOTEAU U3 495MW 1X1 CC REPOWER
CUSTOMER PO No: -
CUSTOMER TAG No: 03-PCV-040603
VENDOR NAME: COPES VULCAN, WINSFORD ENGLAND
VENDOR JOB No: 2029558
VENDOR SERIAL No: 100003020031
ITEM DESCRIPTION: LP TURBINE BYPASS

ISS	MODIFICATION NUMBER	DATE	BY	SCALE	DRAWN	NJD
01	CVW14781	13-08-15	NJD			
02	UPDATED	08-09-15	NJD			
03	TAG REF ADDED TO SHTS 3 & 4. NOTE ADDED TO SH 4.	22/10/15	CMN	USED ON	2029558	APPROVED
04	CVW15024 - PNEUMATIC HOOK UP REVISED	12/01/16	CMN	DATE	31-07-15	TRACED

MATL	CHECKED	CMN	DATE	31-07-15	TRACED

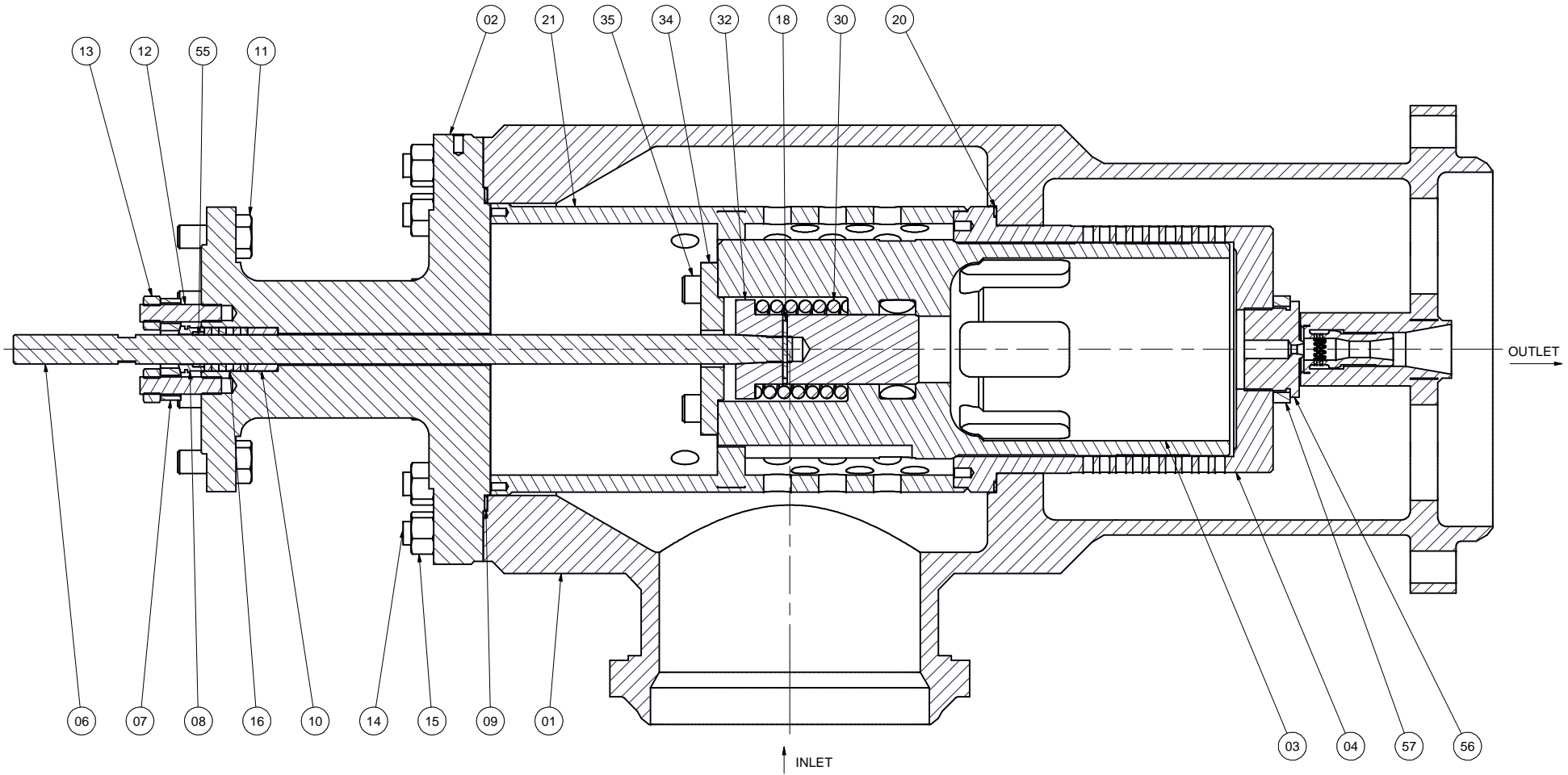
COPES-VULCAN AN SPX BRAND

DRAWING NO: **CD100003020031**

1 OF 4 ISSUE 04

Approved - Returned: 02/07/2016

Parts List				Parts List			
ITEM	QTY	PART NUMBER	TITLE	ITEM	QTY	PART NUMBER	TITLE
01	1	C42359-AQC	BODY	15	12	U09-040HS	NUT
02	1	C39830-WXY-A2	BONNET	16	1	C16431-BPP	PACKING
03	1	C39324-XHY	PLUNGER	18	1	U20-169	SPIROL PIN
04	1	C39371-XHY	CAGE	20	1	C30078-BPP	GASKET
06	1	C34973-XRK	STEM	21	1	C42152-AQA	TRIM SPACER
07	1	C17304-XSD	GLAND BRIDGE	30	1	U25-701	SPRING
08	1	C28374-XMK	GLAND FOLLOWER	32	1	C42143-XMC	TANDEM PLUG
09	1	C30079-BPP	GASKET	34	1	C42144-XHE	TANDEM CAP
10	1	C28373-BPP	GLAND WASHER	35	6	U06-784	SHCS
11	8	U03-406HR	HHSS	55	1	C28375-BPP	GLAND FOLLOWER BUSH
12	2	U01-312TS	STUD	56	1	C42374-ZSH	ATOMISER NOZZLE
13	2	U09-030TV	NUT	57	1	C34554-XSH	ATOMISER SPACER
14	12	U01-410HR	STUD	SEE RECOMMENDED SPARES LIST FOR SPARE PARTS			

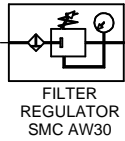


THIS DRAWING IS THE PROPERTY OF COPES-VULCAN AND MAY NOT BE USED WITHOUT THE EXPRESS PERMISSION AND LICENSE OF COPES-VULCAN DO NOT SCALE IF IN DOUBT - ASK !	CROSS SECTION DRAWING OF 2/4 CLASS 300 DSCV-SA	CUSTOMER NAME KIEWIT POWER ENGINEERS	ISS	MODIFICATION NUMBER	DATE	BY	SCALE	DRAWN	NJD	
		PROJECT NAME GRDA CHOATEAU U3.495MW 1X1 CC REPOWER	01	CVW14781	13-08-15	NJD				
		CUSTOMER PO No CUSTOMER TAG No VENDOR NAME 03-PV-040603 COPES VULCAN, WINSFORD ENGLAND 2029558 VENDOR SERIAL No 100003020031 ITEM DESCRIPTION LP TURBINE BYPASS	02	UPDATED	08-09-15	NJD	MATL	CHECKED	CMN	
			03	TAG REF ADDED TO SHTS 3 & 4. NOTE ADDED TO SHT 4	22/10/15	CMN	USED ON	2029558	APPROVED	
			04	CVW15024 PNEUMATIC HOOK UP REVISED	12/01/16	CMN	DATE	31-07-15	TRACED	
			DRAWING NO		CD100003020031		2 OF 4		ISSUE	04

COPES-VULCAN
AN SPX BRAND

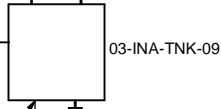
Approved - Returned: 02/07/2016

AIR SUPPLY
60.00 psi.g
0.250" NPT (F)



NON RETURN VALVE

PRESSURE GAUGE
RELIEF VALVE



0.500" NPT (F)

DRAIN VALVE

NOMENCLATURE

- 0.38" PIPE
- 0.50" PIPE
- - - - CUSTOMER SUPPLY

VENT

AIRLOCK

VOLUME BOOSTER

0.500" NPT (F)

0.500" NPT (F)

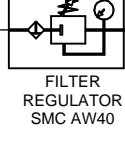
SPOOL VALVE

QUICK EXHAUST VALVE

SPEED CONTROLLER

VENT

AIR SUPPLY
60.00 psi.g
0.500" NPT (F)



DOUBLE ACTING E/P POSITIONER

0.250" NPT (F)

0.250" NPT (F)

SIGNAL HART FEEDBACK
4-20mA
M20x1.5(F)

0.500" NPT (F)

VOLUME BOOSTER

VENT

SPOOL VALVE

DOUBLE ACTING PISTON ACTUATOR

LIMIT SWITCH
CURRENT 10A
0.500" NPT (F)

QUICK EXHAUST VALVE

SPEED CONTROLLER

VENT

THIS DRAWING IS THE PROPERTY OF COPES-VULCAN AND MAY NOT BE USED WITHOUT THE EXPRESS PERMISSION AND LICENSE OF COPES-VULCAN

DO NOT SCALE
IF IN DOUBT - ASK !

PNEUMATIC HOOK UP OF 10DA P800 ACTUATOR

CUSTOMER NAME KIEWIT POWER ENGINEERS
PROJECT NAME GRDA CHOTEAU U3.495MW 1X1 CC REPOWER
CUSTOMER PO No -
CUSTOMER TAG No 03-PCV-040603
VENDOR NAME COPES VULCAN, WINSFORD ENGLAND
VENDOR JOB No 2029558
VENDOR SERIAL No 1000003020031
ITEM DESCRIPTION LP TURBINE BYPASS VALVE

ISS	MODIFICATION NUMBER	DATE	BY	SCALE	DRAWN	NJD
01	CVW14781	13-08-15	NJD			
02	UPDATED	08-09-15	NJD		CHECKED	CMN
03	TAG REF ADDED TO SHTS 3 & 4. NOTE ADDED TO SHT 4	22/10/15	CMN		2029558	APPROVED
04	CIV151024. PNEUMATIC HOOK UP REVISED	12/01/16	CMN			

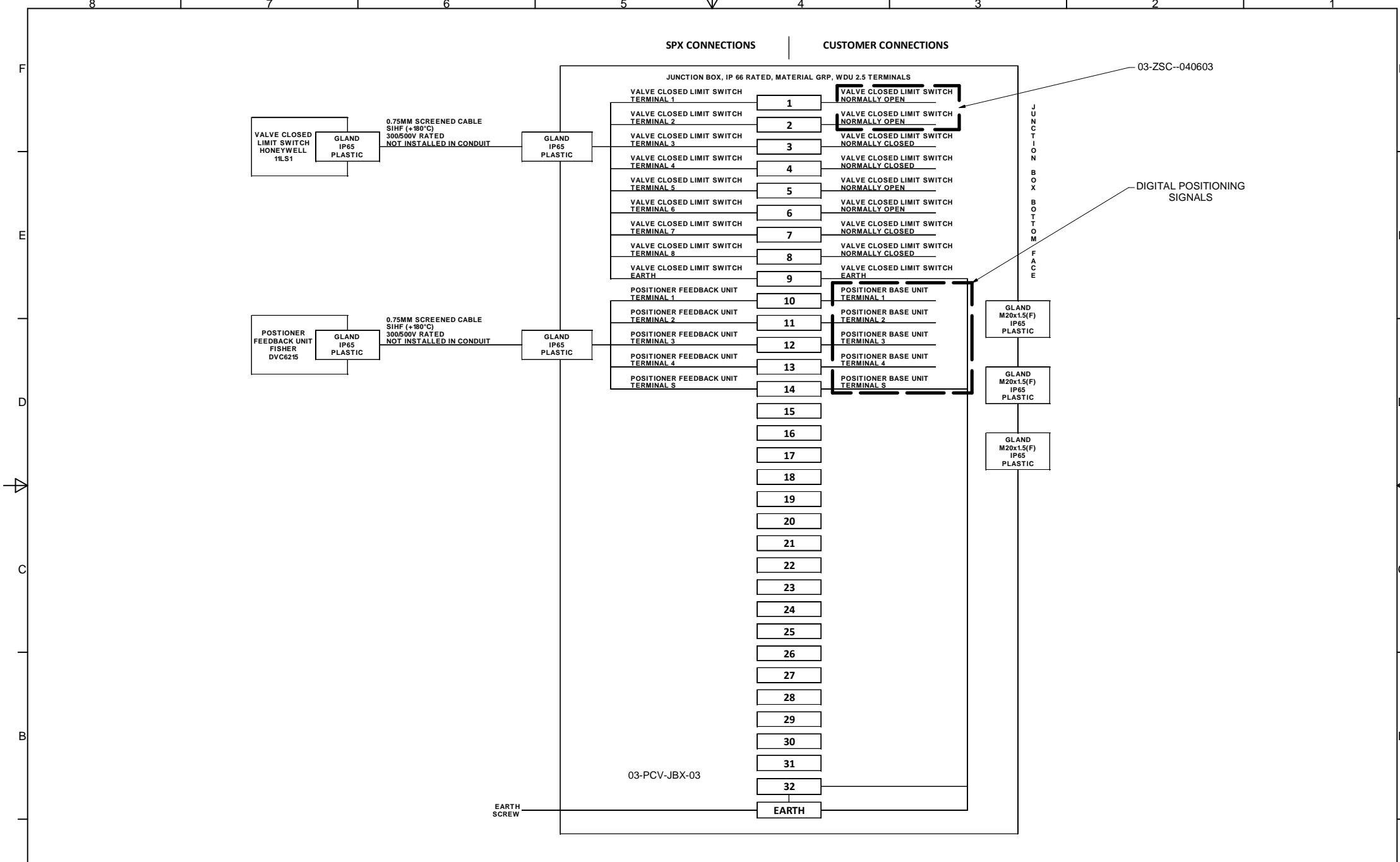
DATE	BY	SCALE	DRAWN	NJD
31-07-15	TRACED			

COPES-VULCAN
AN SPX BRAND

DRAWING NO CD1000003020031

3 OF 4
ISSUE 04

Approved - Returned: 02/07/2016



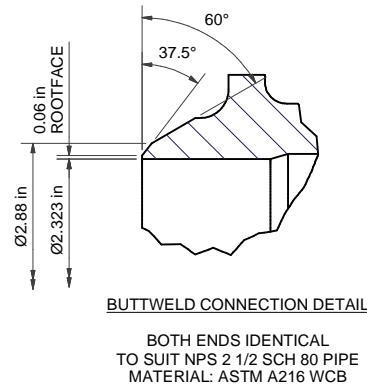
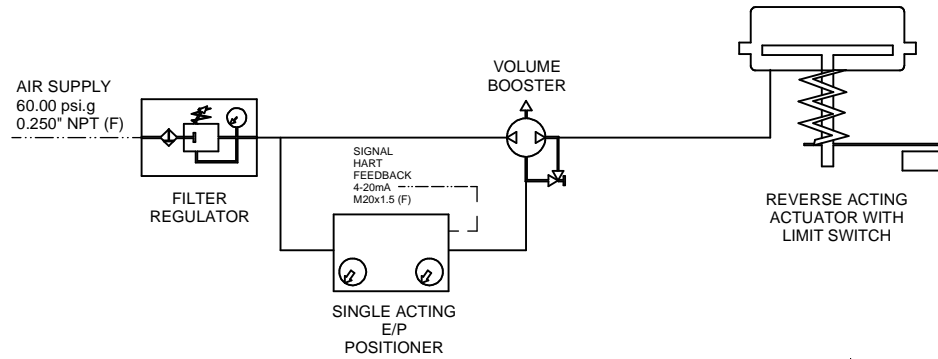
THIS DRAWING IS THE PROPERTY OF COPES-VULCAN AND MAY NOT BE USED WITHOUT THE EXPRESS PERMISSION AND LICENSE OF COPES-VULCAN DO NOT SCALE IF IN DOUBT - ASK !	WIRING OF 2/4 CLASS 300 DSCV-SA WITH 10 DA PISTON ACTUATOR	CUSTOMER NAME	KIEWIT POWER ENGINEERS	ISS	01	MODIFICATION NUMBER	CVW14781	DATE	13-08-15	BY	NJD	SCALE	---	DRAWN	NJD	
		PROJECT NAME	GRDA CHOTEAU U3 495MM 1X1 CC REPOWER		02	UPDATED	08-09-15	NJD						CHECKED	CMN	
		CUSTOMER PO No	-		03	TAG REF ADDED TO SHTS 3 & 4. NOTE ADDED TO SHT 4.	22/10/15	CMN	USED ON	2029558	APPROVED	---				
		VENDOR NAME	03-PCV-040603 COPES VULCAN, WINSFORD ENGLAND 2029558 100003020031 LP TURBINE BYPASS		04	CVW15024: PNEUMATIC HOOK UP REVISED	12/01/16	CMN	DATE	31-07-15	TRACED	---				
												DRAWING NO		CD100003020031		4 OF 4 ISSUE 04

COPES-VULCAN
AN SPX BRAND

Approved - Returned: 02/07/2016

NOMENCLATURE

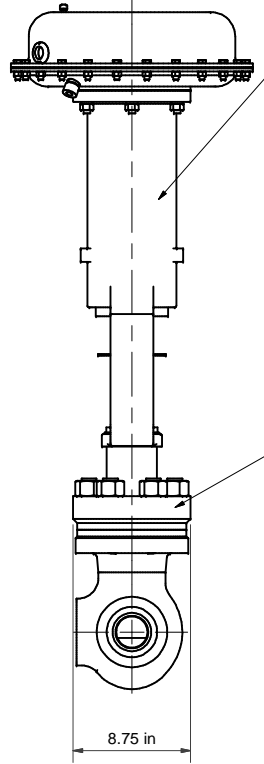
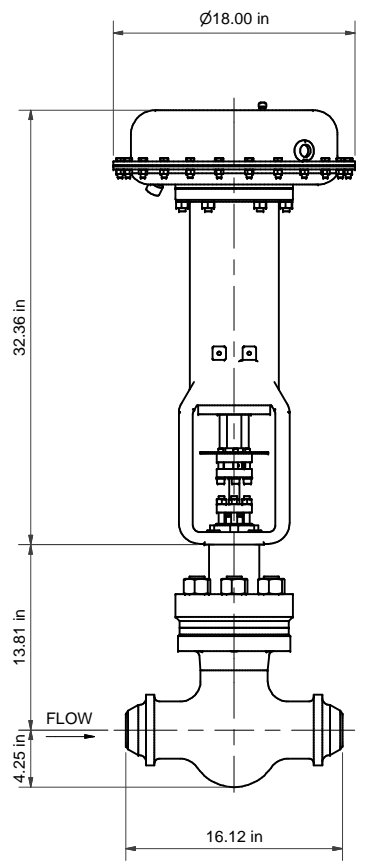
— 0.380" PIPE
 - - - - - CUSTOMER SUPPLY



Parts List			
ITEM	QTY	PART NUMBER	TITLE
01	1	C42387AWXY-A2	BODY
02	1	C31419-WXZ-A2	BONNET
03 & 05	1	C99158ZAQA	PLUG & SEAT
04	1	CAG31502060803	CAGE
06	1	STM310222004	STEM
07	1	C17302-XSH	GLAND BRIDGE
08	1	355726	GLAND FOLLOWER
09	1	C17044-BPP	GASKET
10	1	C17330-XMK	GLAND WASHER
11	1	C19577-ZXE	YOKE NUT
12	4	U01-172TS	STUD
13	4	U09-115SC	NUT
14	6	U01-460HR	STUD
15	6	U09-046HS	NUT
16	1	C15971-BPP	GLAND PACKING
18	1	U20-122	SPIROL PIN
21	1	C42377-ZMC	TRIM SPACER
22	1	267788	GASKET

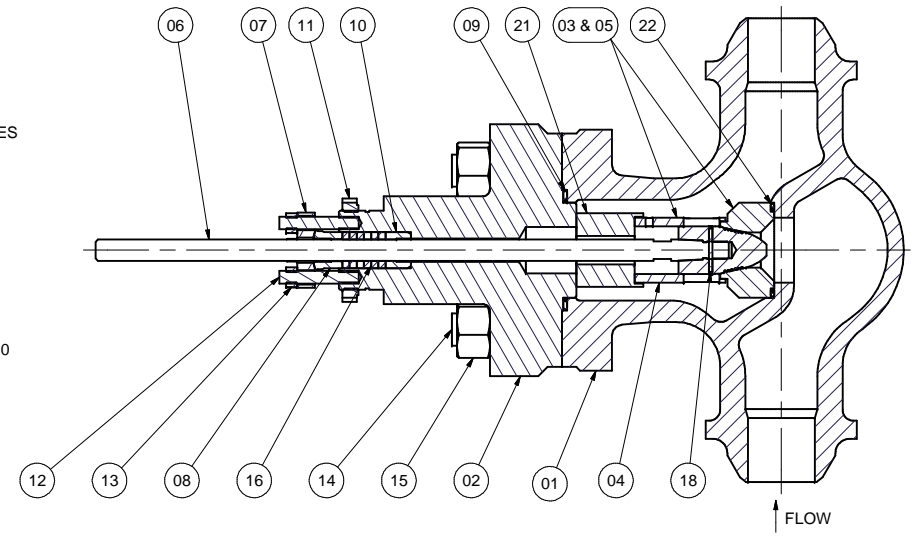
SEE RECOMMENDED SPARES LIST FOR SPARE PARTS

FRONT ELEVATION



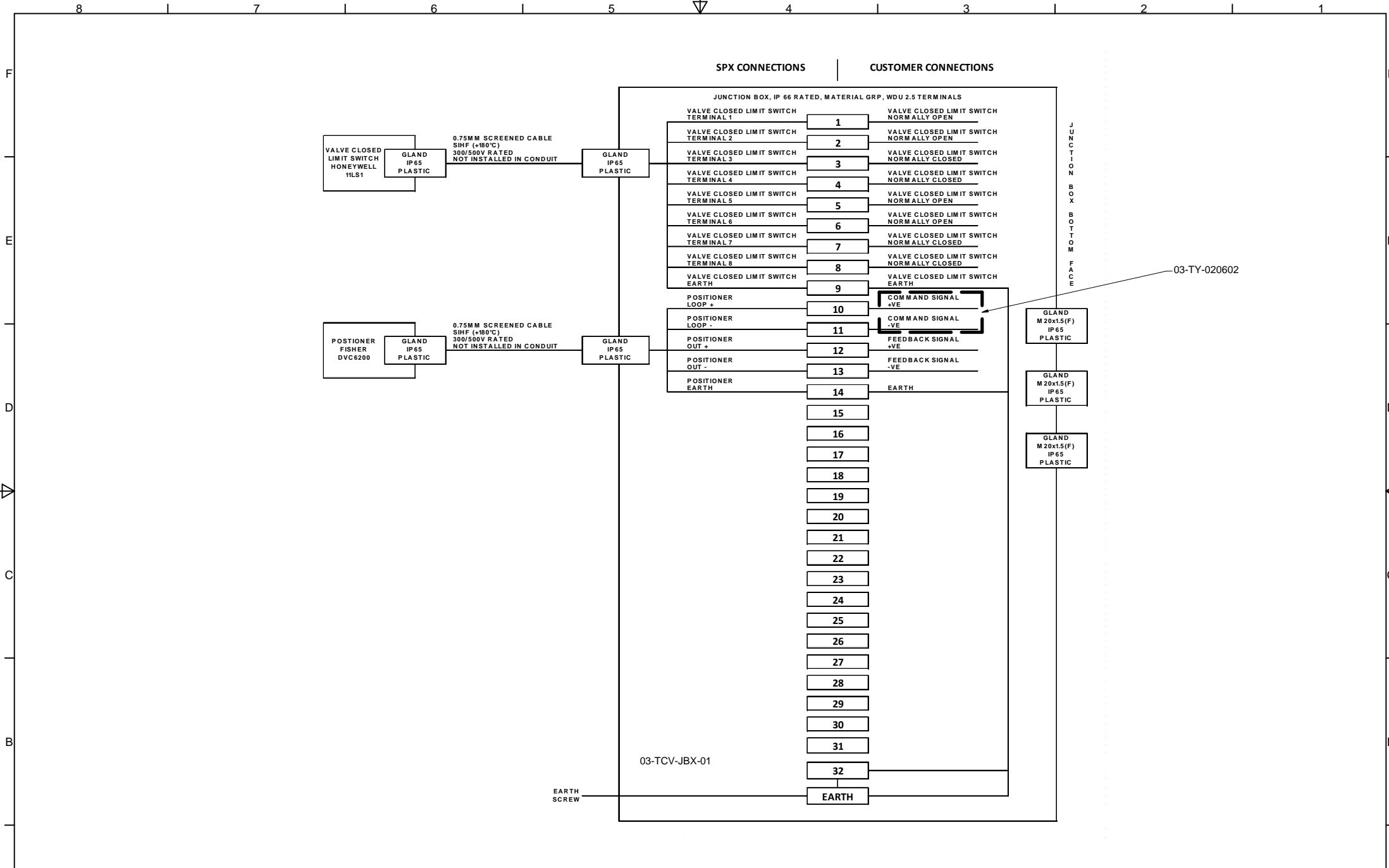
ALLOW 12.00 in FOR ACTUATOR REMOVAL

- CV700-160R REVERSE ACTING PNEUMATIC DIAPHRAGM ACTUATOR WITHOUT HANDWHEEL
- FISHER DVC 6200 POSITIONER WITH HART MODULE FEEDBACK MODULE & GAUGES
- SMC AW 30 FILTER REGULATOR WITH GAUGE
- RK1000 BOOSTER RELAY
- HONEYWELL 11LS1-4C LIMIT SWITCHES (1 OFF - DOWN)
- JUNCTION BOX
- STAINLESS STEEL TUBING
- ACTUATOR WEIGHT 203 lb
VALVE WEIGHT 163 lb
- NPS 2 1/2 CLASS 900 GLOBE VALVE
INLET - BUTTWELD NPS 2 1/2 SCH 80
OUTLET - BUTTWELD NPS 2 1/2 SCH 80



THIS DRAWING IS THE PROPERTY OF COPES-VULCAN AND MAY NOT BE USED WITHOUT THE EXPRESS PERMISSION AND LICENSE OF COPES-VULCAN DO NOT SCALE IF IN DOUBT - ASK !	GENERAL ARRANGEMENT DRAWING OF NPS 2 1/2 CLASS 900 GLOBE VALVE WITH CV700-160R PNEUMATIC DIAPHRAGM ACTUATOR	CUSTOMER NAME KIEWIT POWER ENGINEERS	ISS 01	MODIFICATION NUMBER UPDATED	DATE 08-09-15	BY NJD	SCALE 	DRAWN NJD	CHECKED CMN	APPROVED 	COPES-VULCAN AN SPX BRAND	1 OF 2 ISSUE 03
		PROJECT NAME GRDA CHOTEAU U3 495MW 1X1 CC REPOWER	TAG REF ADDED TO SHT 2 22/19/15	CMN	CMN	USED ON 2029558	DATE 05-08-15	TRACED 	DRAWING NO CD100003020028			
		CUSTOMER PO No 03-TCV-020602										
		CUSTOMER TAG No COPES VULCAN, WINSFORD										
		VENDOR NAME ENGLAND										
		VENDOR JOB No 2029558										
		VENDOR SERIAL No 100003020028										
		ITEM DESCRIPTION HP WATER CONTROL VALVE										

Approved - Returned: 02/07/2016



THIS DRAWING IS THE PROPERTY OF COPES-VULCAN AND MAY NOT BE USED WITHOUT THE EXPRESS PERMISSION AND LICENSE OF COPES-VULCAN DO NOT SCALE IF IN DOUBT - ASK !	WIRING OF NPS 2 1/2 CLASS 900 GLOBE VALVE WITH CV700-160R PNEUMATIC DIAPHRAGM ACTUATOR	CUSTOMER NAME KIEWIT POWER ENGINEERS	ISS 01	MODIFICATION NUMBER UPDATED	DATE 08-09-15	BY NJD	SCALE 	DRAWN NJD	CHECKED CMN	APPROVED CMN	COPES-VULCAN AN SPX BRAND	2 OF 2 ISSUE 03
		PROJECT NAME GRDA CHOTEAU U3.495MW 1X1 CC REPOWER	TAG REF ADDED TO SHT 2	22/10/15	CMN	USED ON 2029558	DATE 05-08-15	TRACED 	DRAWING NO CD1000003020028			
		CUSTOMER PO No - CUSTOMER TAG No 03-TCV-020602 VENDOR NAME COPES VULCAN, WINSFORD ENGLAND VENDOR JOB No 2029558 VENDOR SERIAL No 1000003020028 ITEM DESCRIPTION HP WATER CONTROL VALVE	TAG REF ADDED TO SHT 2	12/01/16	CMN							

Approved - Returned: 02/07/2016



Recommended Spares List (RSL) & Spare Parts Interchangeability Report (SPIR)

Enter the details of the sales order below, and this will be used to populate the header data on the subsequent pages.

Customer Name	Kiewit Power Engineers	Created Date	10/7/2015
Project Name	GRDA Choteau U3 495MW 1X1 CC Repower		
Customer PO	4501198568		
SPX Order No	2029558		

These RSLs contain our suggested spares holdings to cover for plant operation for **2** years

Tab	Valve Serial Number	Valve Tag Number	Description	Quantity of Valves
<u>A</u>	1000003020027	03-PCV-020603	DSCV-SA, #1 CLASS 2500	1
<u>B</u>	1000003020028	03-TCV-020602	GLOBE, NPS 2.5 CLASS 600 RF	1
<u>C</u>	1000003020029	03-PCV-032603	DSCV-SA, #4 CLASS 600	1
<u>D</u>	1000003020030	03-TCV-032602	GLOBE, NPS 6 CLASS 300 RF	1
<u>E</u>	1000003020031	03-PCV-040603	DSCV-SA, #2 CLASS 300	1
<u>F</u>	1000003020032	03-TCV-040602	GLOBE, NPS 1 CLASS 300 RF	1
<u>G</u>				
<u>H</u>				
<u>I</u>				
<u>J</u>				
<u>K</u>				
<u>L</u>				
<u>M</u>				
<u>N</u>				
<u>O</u>				
<u>P</u>				
<u>Q</u>				
<u>R</u>				
<u>S</u>				
<u>T</u>				
<u>U</u>				
<u>V</u>				
<u>W</u>				
<u>X</u>				
<u>Y</u>				
<u>Z</u>				



Information - Returned: 01/04/2016



Road Two Industrial Estate, Winstford, Cheshire, CV17 3QL, United Kingdom
Tel: +44 (0)1606 552041 • Fax: +44 (0)1606 556275 • E-Mail: copies@spvx.com



RECOMMENDED SPARES LIST

Customer Name	Kiewit Power Engineers	SPX Order No	20295558
Project Name	GRDA Chozeau U3 495MW 1X1 CC Repower	Document N°	RSL1000003020027
Customer PO	4507198568	Rev Status	00
Quantity of Valves	1	Date	7-Oct-15
Description	DSCV-SA, #1 CLASS 2500	Aftermarket Reference	
Valve Tag Number	03-PCV-020603	Contract	
Valve Serial Number	1000003020027		

Qty Installed Per Valve	Drawing Item	Description	Part N°	Spare Parts Indicator	Operation Spares	Delivery	2015 - Unit Price (USD)	2015 - Total Price (USD)
1	03	PLUNGER	C39341-XHY	B		12 Weeks	27,213.43	27,213.43
1	04	CAGE	C39706-XHY	B		12 Weeks	17,257.46	17,257.46
1	06	STEM	C40859-XVM	B		12 Weeks	6,160.40	6,160.40
1	10	GLAND WASHER	C28373-BPP	B		12 Weeks	291.17	291.17
1	16	PACKING	C16431-BPP	A		2 Weeks	149.23	298.46
1	18	SPROL PIN	U20-169	B		12 Weeks	9.97	9.97
1	20	GASKET	C30469-BPP	A		2 Weeks	99.48	198.96
1	21	TRIM SPACER	C39802-AQA	B		12 Weeks	13,095.15	13,095.15
1	30	SPRING	C40319-XMC	B		12 Weeks	4,576.14	4,576.14
1	32	TANDEM PLUG	C40320-XHE	B		12 Weeks	2,285.71	2,285.71
1	34	TANDEM CAP	U06-794	B		6 Weeks	2,345.21	2,345.21
1	35	SOCKET HEAD CAPSCREW	C22971UBPP	A		2 Weeks	43.76	292.56
6	46	PRESSURE SEAL RING	C28375-BPP	B		12 Weeks	566.88	1,193.76
1	48	GLAND FOLLOWER BUSH	C42327-ZSH	B		12 Weeks	298.45	298.45
1	55	ATOMISER NOZZLE	C34554-XSH	B		12 Weeks	2,474.78	2,474.78
1	56	ATOMISER SPACER	P80 SPARES KIT - 20" CYL ACTUATOR, V87015-AQA	B		12 Weeks	608.83	608.83
1	57	ATOMISER SPACER	X01-377	B		12 Weeks	544.38	544.38
1	800	P80 SPARES KIT - 20" CYL ACTUATOR, V87015-AQA	X01-377	B		12 Weeks	389.96	389.96
1	900-01	POSITIONER	X02-107	B		12 Weeks	197.91	197.91
1	900-02	FILTER REGULATOR	X02-108	B		12 Weeks	197.91	197.91
1	900-02	FILTER REGULATOR	X03-010	B		12 Weeks	771.97	771.97
1	900-03	FAILFIX	X06-005	B		12 Weeks	897.33	897.33
1	900-06	LIMIT SWITCH	X07-111	B		12 Weeks	457.50	457.50
1	900-07	VOLUME BOOSTER	X07-199	B		2 Weeks	447.68	895.36
2	900-08	SPOOL VALVE	X07-271	B		12 Weeks	208.92	208.92
1	900-09	QUICK EXHAUST VALVE	X07-247	B		12 Weeks	146.62	146.62
1	900-10	SPEED CONTROL VALVE	X07-002	B		12 Weeks	59.70	59.70
1	900-11	BALL VALVE	X07-264	B		12 Weeks	208.92	208.92
1	900-12	NON-RETURN VALVE	X07-264	B		12 Weeks	208.92	208.92

COMMENTS
Please note that items marked [A], must be changed during an inspection or maintenance overhaul it should be ensured that these items are available before commencing the inspection.
Do Not Re-Use
Please note that items marked [B], are operational spares



Road Two Industrial Estate, Winstford, Cheshire, CV17 3QL, United Kingdom
 Tel: +44 (0)1606 552041 • Fax: +44 (0)1606 552275 • E-Mail: copes@spix.com



RECOMMENDED SPARES LIST

Customer Name	Kiewit Power Engineers	SPX Order No	2029558
Project Name	GRDA Chateau U3 495MW 1X1 CC Repower	Document N°	RSL1000003020028
Customer PO	4501198568	Rev Status	00
Quantity of Valves	1	Date	7-Oct-15
Description	1 GLOBE, NPS 2.5 CLASS 600 RF	Aftermarker Reference	
Valve Tag Number	03-TCV-020602	Contact	
Valve Serial Number	1000003020028		

Qty Installed Per Valve	Drawing Item	Description	Part N°	Spare Parts Indicator	Operation Spares	Delivery	2015 - Unit Price (USD)	2015 - Total Price (USD)
<i>Spare Parts for 2 Years operation</i>								
1	03 & 05	MATED PLUG AND SEAT	C99158ZAOA	B	1	8 Weeks	5,285.47	5,285.47
1	04	CAGE	CAG31502060903	B	1	8 Weeks	1,541.98	1,541.98
1	06	STEM	STM310222004	B	1	8 Weeks	497.41	497.41
1	09	GASKET	C17044-BPP	A	2	8 Weeks	39.79	79.58
1	10	GLAND WASHER	C17330-XMK	B	2	8 Weeks	99.48	99.48
1	16	PACKING	C15971-BPP	A	2	8 Weeks	59.70	119.40
1	18	SPIROL PIN	U20-122	B	1	8 Weeks	2.01	2.01
1	20	GASKET	267798	A	2	8 Weeks	29.84	59.68
1	700	KIT, SPARES CV700 160R	C80138-AQA	B	1	8 Weeks	303.04	303.04
1	900-01	POSITIONER	X01-397	B	1	8 Weeks	6,086.07	6,086.07
1	900-02	FILTER REGULATOR	X02-109	B	1	8 Weeks	197.91	197.91
1	900-07	VOLUME BOOSTER	X07-195	B	1	8 Weeks	218.85	218.85

COMMENTS
 Please note that items marked [A], must be changed during an inspection or maintenance overhaul it should be ensured that these items are available before commencing the inspection.
 Do Not Re-Use
 Please note that items marked [B], are operational spares



Read Two Industrial Estate, Winsted, Cheshire, CV7 3QL, United Kingdom
 Tel: +44 (0)1606 552041 • Fax: +44 (0)1606 552775 • E-Mail: copes@spvx.com



RECOMMENDED SPARES LIST

Customer Name	Kiewit Power Engineers	SPX Order No	2029558
Project Name	GRDA Choteau U3 495MW 1X1 CC Repower	Document N°	RSL1000003020029
Customer TAG	4501195558	Rev Status	00
Quantity of Valves	1	Date	7-Oct-15
Description	DSCV-SA, #4 CLASS 600	Aftermarker Reference	
Valve Tag Number	03.PCV/032903	Contact	
Valve Serial Number	10000303020029		

Qty Installed Per Valve	Drawing Item	Description	Part N°	Spare Parts Indicator	Operation Spares	Delivery	2015 - Unit Price (USD)	2015 - Total Price (USD)
Spare Parts for 2 Years operation								
1	03	PLUNGER	C40091-XHY	B	1	12 Weeks	40,799.39	40,799.39
1	04	CAKE	C40087-XHY	B	1	12 Weeks	24,068.76	24,068.76
1	06	STEM	C41186-XVM	B	1	12 Weeks	7,095.08	7,095.08
1	09	GASKET	U22-374	A	2	12 Weeks	156.76	313.52
1	10	GLAND WASHER	C34551-BPP	B	1	12 Weeks	756.18	756.18
1	16	PACKING	C31939-BPP	A	2	12 Weeks	348.18	696.36
2	18	SPRIGL PIN	U20-169	B	2	12 Weeks	9.97	19.94
1	20	GASKET	U22-373	A	2	12 Weeks	142.84	285.68
1	21	TRIM SPACER	C40098-AQM	B	1	12 Weeks	24,589.53	24,589.53
1	30	SPRING	U25-703	B	1	12 Weeks	5,121.28	5,121.28
1	32	TANDEM PLUG	C40088-XMC	B	1	12 Weeks	4,404.33	4,404.33
1	34	TANDEM CAP	C40092-XHE	B	1	12 Weeks	2,899.02	2,899.02
6	35	HEXAGON HEAD SETSCREW	U03-753	B	6	12 Weeks	184.11	1,104.66
1	55	GLAND FOLLOWER BUSH	C34552-BPP	B	1	12 Weeks	602.88	602.88
1	56	ATOMISER NOZZLE	C42367-ZSH	B	1	12 Weeks	3,059.99	3,059.99
1	57	ATOMISER SPACER	C42394-XSH	B	1	12 Weeks	145.21	145.21
1	800	P800 SPARES KIT - 20" CVL ACTUATOR V87015-AQA	X01-377	B	1	12 Weeks	544.38	544.38
1	900-01	POSITIONER	X02-107	B	1	12 Weeks	389.96	389.96
1	900-02	FILTER REGULATOR	X02-109	B	1	12 Weeks	197.91	197.91
1	900-03	FALTIK	X03-010	B	1	12 Weeks	771.97	771.97
1	900-06	LIMIT SWITCH	X06-005	B	1	12 Weeks	897.33	897.33
1	900-07	VOLUME BOOSTER	X07-199	B	1	12 Weeks	457.60	457.60
2	900-08	SPOOL VALVE	X07-111	B	2	12 Weeks	447.68	895.36
1	900-09	QUICK EXHAUST VALVE	X07-271	B	1	12 Weeks	208.92	208.92
1	900-10	SPEED CONTROL VALVE	X07-247	B	1	12 Weeks	146.62	146.62
1	900-11	BALL VALVE	X07-002	B	1	12 Weeks	59.70	59.70
1	900-12	NON-RETURN VALVE	X07-284	B	1	12 Weeks	208.92	208.92

COMMENTS

Please note that items marked [A], must be changed during an inspection or maintenance overhaul it should be ensured that these items are available before commencing the inspection.

Do Not Re-Use

Please note that items marked [B], are operational spares

Item 3 & 5

Please note that these items require factory mating prior to shipment and form a unique matched set that must not be separated in storage or during valve rebuild

We will lap the plug with the seat prior to shipment - Note Plug and seat cannot be purchased as individual components



Road Two Industrial Estate, Winsford, Cheshire, CV7 2QL, United Kingdom
 Tel: +44 (0)1606 552041 • Fax: +44 (0)1606 558275 • E-Mail: copies@spk.com



RECOMMENDED SPARES LIST

Customer Name	Kiewit Power Engineers	SPX Order No	2029558
Project Name	GRDA Chateau U3 495MW 1X1 CC Repower	Document N°	RSL1000003020030
Customer PO	4501198958	Rev Status	00
Quantity of Valves	1	Date	7-Oct-15
Description	GLOBE, NPS 6 CLASS 300 RF	Alternat/Ref Reference	
Valve Tag Number	03-CV-432602	Contact	
Valve Serial Number	1000003020030		

Qty Installed Per Valve	Drawing Item	Description	Part N°	Spare Parts Indicator	Operation Spares	Delivery	2015 - Unit Price (USD)	2015 - Total Price (USD)	
Spare for 2 years operation									
1	03	PLUG	V/PLG303020103A	B	1	8 Weeks	1,581.76	1,581.76	
1	04	CAGE	CAG30301050303	B	1	8 Weeks	2,685.99	2,685.99	
1	05	SEAT	C38946XMC	B	1	8 Weeks	1,453.01	1,453.01	
1	06	STEM	STM310214504	B	1	8 Weeks	586.94	586.94	
1	09	GASKET	282694	A	2	8 Weeks	49.74	99.48	
1	10	GLAND WASHER	373407	B	1	8 Weeks	99.49	99.49	
1	16	PACKING	368489	A	2	8 Weeks	109.43	218.86	
1	18	SPIRCL PIN	U20-119	B	1	8 Weeks	3.98	3.98	
1	20A	GASKET	269031	A	2	8 Weeks	33.85	67.70	
1	20B	GASKET	325432	A	2	8 Weeks	49.74	99.48	
1	20C	GASKET	269903	A	2	8 Weeks	35.51	71.02	
1	25	U CUP SEAL	VASO30101	B	1	8 Weeks	298.45	298.45	
1	33	RETAINING RING	V/RET3030101A	B	1	8 Weeks	228.83	228.83	
1	39	RETAINING RING	342268	B	1	8 Weeks	69.66	69.66	
1	700	KIT. SPARES CV/700 100R	C80135-AQA	B	1	8 Weeks	423.80	423.80	
1	900-01	POSITIONER	X01-357	B	1	8 Weeks	6,086.07	6,086.07	
1	900-02	FILTER REGULATOR	X02-109	B	1	8 Weeks	197.91	197.91	
1	900-07	VOLUME BOOSTER	X07-195	B	1	8 Weeks	218.85	218.85	

COMMENTS

Please note that items marked [A], must be changed during an inspection or maintenance overhaul it should be ensured that these items are available before commencing the inspection.
 Do Not Re-Use

Please note that items marked [B], are operational spares
 Item 3 & 5 valve rebuild
 We will tap the plug with the seat prior to shipment - Note Plug and seat cannot be purchased as individual components



Road Two Industrial Estate, Westford, Cheshire, CV7 3QL, United Kingdom
Tel: +44 (0)1506 552041 • Fax: +44 (0)1506 558275 • E-Mail: copee@spv.com



RECOMMENDED SPARES LIST

Customer Name	Kawit Power Engineers	SPX Order No	2029558
Project Name	GRDA Chetrau U3 495MW 1X1 CC Repower	Document N°	00
Customer PO	490119898	Date	7-Oct-15
Quantity of Valves	1	Rev Status	
Description	DSCV-SA #2 CLASS 300	Aftermarker Reference	
Valve Tag Number	03-PCV-040503	Contact	
Valve Serial Number	1000003020031		

Qty Installed Per Valve	Drawing Item	Description	Part N°	Spare Parts Indicator	Operation Spares	Delivery	2015 - Unit Price (USD)	2015 - Total Price (USD)
1	03	PLUNGER	C39324-XHY	B	1	12 Weeks	26,164.61	26,164.61
1	04	CAGE	C39371-XHY	B	1	12 Weeks	13,754.79	13,754.79
1	06	STEM	C34973-XRK	B	1	12 Weeks	1,880.22	1,880.22
1	09	GASKET	C39079-BPP	A	2	12 Weeks	149.22	298.44
1	10	GLAND WASHER	C28373-BPP	B	1	12 Weeks	291.16	291.16
1	16	PACKING	C16431-BPP	A	2	12 Weeks	149.22	298.44
1	18	SPIROL PIN	U20-169	B	1	12 Weeks	9.96	9.96
1	20	GASKET	C39078-BPP	A	2	12 Weeks	109.43	218.86
1	21	TRIM SPACER	C42152-AQA	B	1	12 Weeks	18,875.53	18,875.53
1	30	SPRING	U25-701	B	1	12 Weeks	2,884.97	2,884.97
1	32	TANDEM PLUG	C42143-XMC	B	1	12 Weeks	3,356.36	3,356.36
1	34	TANDEM CAP	C42144-XHE	B	1	12 Weeks	1,862.22	1,862.22
6	35	SOCKET HEAD CAPSCREW	U06-794	B	6	12 Weeks	43.76	262.56
1	55	GLAND FOLLOWER BUSH	C28375-BPP	B	1	12 Weeks	298.45	298.45
1	56	ATOMISER NOZZLE	C42374-ZSH	B	1	12 Weeks	2,949.25	2,949.25
1	57	ATOMISER SPACER	C34554-XSH	B	1	12 Weeks	608.82	608.82
1	800	P800 SPARES KIT - 10" CYL ACTUATOR V87010-AQA	X01-377	B	1	12 Weeks	404.78	404.78
1	900-01	POSITIONER	X02-107	B	1	12 Weeks	389.96	389.96
1	900-02	FILTER REGULATOR	X02-109	B	1	12 Weeks	197.91	197.91
1	900-02	FILTER REGULATOR	X03-010	B	1	12 Weeks	771.97	771.97
1	900-03	FALTERX	X03-005	B	1	12 Weeks	897.33	897.33
1	900-06	LIMIT SWITCH	X06-005	B	1	12 Weeks	457.60	457.60
1	900-07	VOLUME BOOSTER	X07-199	B	1	12 Weeks	447.68	447.68
2	900-08	SPOOL VALVE	X07-271	B	2	12 Weeks	208.92	895.36
1	900-09	QUICK EXHAUST VALVE	X07-247	B	1	12 Weeks	146.62	146.62
1	900-10	SPEED CONTROL VALVE	X07-202	B	1	12 Weeks	59.70	59.70
1	900-11	BALL VALVE	X07-284	B	1	12 Weeks	208.92	208.92
1	900-12	NON-RETURN VALVE	X07-284	B	1	12 Weeks	208.92	208.92

COMMENTS

Please note that items marked [A], must be changed during an inspection or maintenance overhaul it should be ensured that these items are available before commencing the inspection.
Do Not Re-Use

Please note that items marked [B], are operational spares

Item 3 & 5

Please note that these items require factory mating prior to shipment and form a unique matched set that must not be separated in storage or during valve rebuild.
We will tap the plug with the seat prior to shipment - Note Plug and seat cannot be purchased as individual components



Road Two Industrial Estate, Winsted, Cheshire, CV7 3QL, United Kingdom
 Tel: +44 (0)1806 552041 • Fax: +44 (0)1806 558275 • E-Mail: copies@spvx.com



RECOMMENDED SPARES LIST

Customer Name	Kiwiit Power Engineers	SPX Order No	2029558
Project Name	GRDA Chobanu US 495MW 1X1 CC Repower	Document N°	RSL1000003020032
Customer PO	4501198988	Rev Status	00
Quantity of Valves	1	Date	7-Oct-15
Description	03-TCV-040602	Aftermarker Reference	
Valve Tag Number	03-TCV-040602	Contact	
Valve Serial Number	1000003020032		

Qty Installed Per Valve	Drawing Item	Description	Part N°	Spare Parts Indicator	Operation Spares	Delivery	2015 - Unit Price (USD)	2015 - Total Price (USD)
Spare for 2 Years operation								
1	03 & 04	MATED PLUG AND CAGE	C99207BAQA	B	1	8 Weeks	18,442.10	18,442.10
1	05	SEAT	C39224-XMA	B	1	8 Weeks	919.03	919.03
1	09	GASKET	C17043-BPP	A	2	8 Weeks	29.85	59.70
1	10	GLAND WASHER	373407	B	1	8 Weeks	99.86	99.86
1	16	PACKING	369489	A	2	8 Weeks	109.43	218.86
1	20	GASKET	C22410-BPP	A	2	8 Weeks	39.79	79.58
1	21	TRIM SPACER	C42303-ZMC	B	1	8 Weeks	2,285.71	2,285.71
1	700	KIT SPARES CV/700 100R	CB0135-AQA	B	1	8 Weeks	423.80	423.80
1	900-01	POSITIONER	X01-357	B	1	8 Weeks	6,086.07	6,086.07
1	900-02	FILTER REGULATOR	X02-109	B	1	8 Weeks	197.91	197.91
1	900-07	VOLUME BOOSTER	X07-195	B	1	8 Weeks	218.85	218.85

COMMENTS

Please note that items marked [A.] must be changed during an inspection or maintenance overhaul. It should be ensured that these items are available before commencing the inspection.
 Do Not Re-Use

Please note that items marked [B.] are operational spares

Item 3 & 5

Please note that these items require factory mating prior to shipment and form a unique matched set that must not be separated in storage or during valve rebuild
 We will lap the plug with the seat prior to shipment - Note Plug and seat cannot be purchased as individual components

