

Clarification or Amendment of Solicitation

Date of Issuance: 7/25/24

¹Solicitation No. RFQ 1664

Purchase Request No. 4282

Clarification or Amendment No. 1

Solicitation due date and hours of offers is changed: No Yes, to: _____ CST/CDT

This document shall serve as official notice of ²Clarification or ³Amendment to the Solicitation identified above. Such notice is being provided to all vendors to which the original solicitation was sent. When a change(s) made to the solicitation materially impact a priced offer by vendors, vendors are to ensure that priced offer is accurate and reflects a change(s) identified in the amendment.

ISSUED BY:

Grand River Dam Authority
Purchasing Unit
PO Box 669
Chouteau, OK 74337

Paul Proctor
Contracting and Acquisitions Agent
918-500-0198
Phone Number
paul.proctor@grda.com
E-Mail Address

Description of Amendment or Clarification:

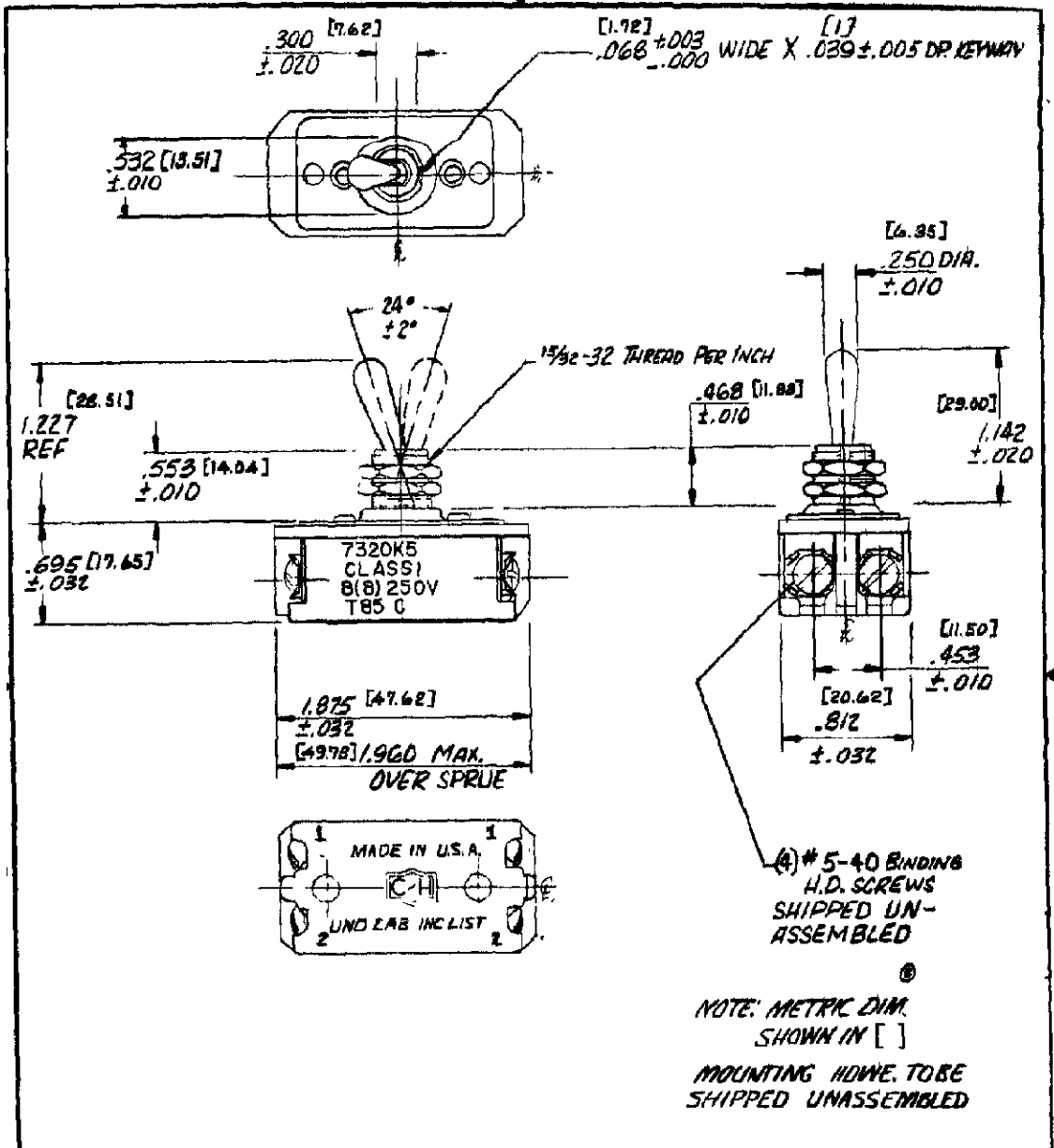
a. This is to incorporate the following (this box expands based on size of text):

Item R57 (QTY 2) – Newark 723DK3 is incorrectly listed on the drawing. This should instead be **ALCOSWITCH - TE CONNECTIVITY 7320K3**.

Please also see the attached switch data sheet for further information.

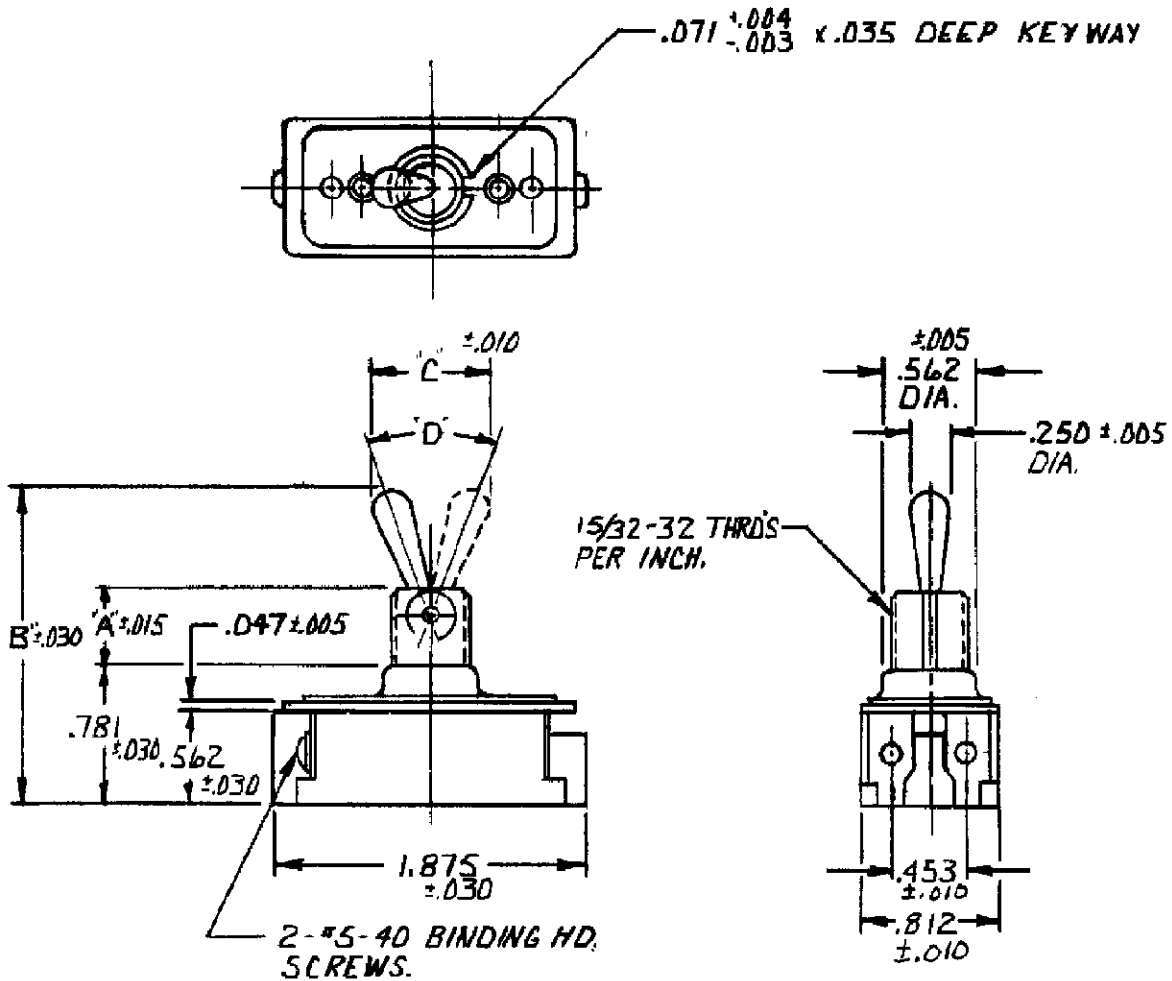
b. All other terms and conditions remain unchanged.

1. Solicitation means a request or invitation by GRDA for a vendor to submit a priced offer to sell acquisitions to GRDA. A solicitation may be a Request for Quote (RFQ), an Invitation to Bid (ITB), or a Request for Proposal (RFP).
2. Clarification to a solicitation means an additional explanation of all or part of a solicitation that does not change, alter, or supplement the solicitation.
3. An amendment to a solicitation means a written change, addition, correction, or revision to a solicitation.



TITLE DIMENSIONS FOR DBL. POLE TOOL HD'L. SW. FOR EUROPEAN USE

ORDER NO.	702A575014	BASIC SPECS. SUMMARY				
			M. R. R. G. 11-26-76	DR MICHAEL WHITEO 1/8/76	APP. Richard Beard	
			702A575014			
			M. R. R. G. 11/14/76	CHK. J. SMITH	1-14-76	REV A
			702A575014 R.S.		1520237	
LTR	REVISION RECORD	DATE	CHK	TE Connectivity		



37±4°	7321	.469	1.922	.719
50°±4°	7321	.344	1.766	.844
"D"	CAT. NO.	A	B	C



TITLE DIMENSIONS FOR SINGLE POLE ONE HANDLE MTG. TOOL HANDLE SWITCH.

ORDER NO. 9310N10 BASIC SPECS. SUMMARY

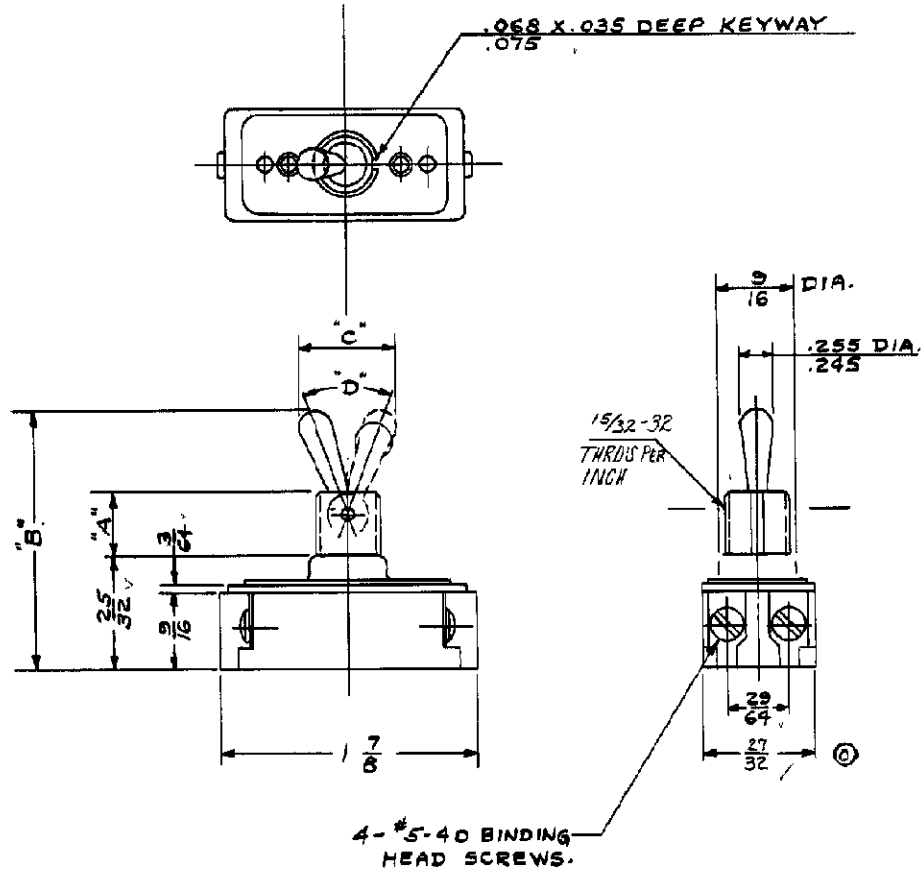
DR.	JEFF BROTHERS	11/27/04	APP.	Bill Newland
CHK.	GLENN STORV	11/27/04		1520237
			REV	A

SEE SHEET 1



1520237

RAW MAT SPEC WITH
PART NO AND AMOUNT REQ'D.



37±4°	7320	15/32	159/64	21/32
50±4°	7320	11/32	149/64	21/32
"D"	CAT. NO.	A	B	C

BULLETIN
DIMENSIONS FOR ~~TYPE 7320~~, ONE HOLE MTG. TOOL HANDLE SWITCH

FORM NO. 7
DIMENSIONS ON THIS DRAWING
15-40
SCHILLER
15-40
CLOSE

DR. <i>E. R. Leonard</i>	11/14/40	1520237
CHKD <i>J. P. Paetz</i>	10/14/40	SUP. S. NON-INTERCHANGEABLE
APP. <i>J. P. Paetz</i>	10/15/40	SUP. D BY NON-INTERCHANGEABLE
DO NOT SCALE DRAWING. WORK ACCORDING TO DIMENSIONS.		SURFACE COATING
STANDARD TOLERANCES 30-275 APPLY TO DIMENSIONS FOR WHICH TOLERANCES ARE NOT SPECIFIED.		SCALE 1" = 1"

SEE SHEET 1

STE TE Connectivity

ORDER NO. DEV. 4041-10	A	REV A
------------------------------	----------	-----------------