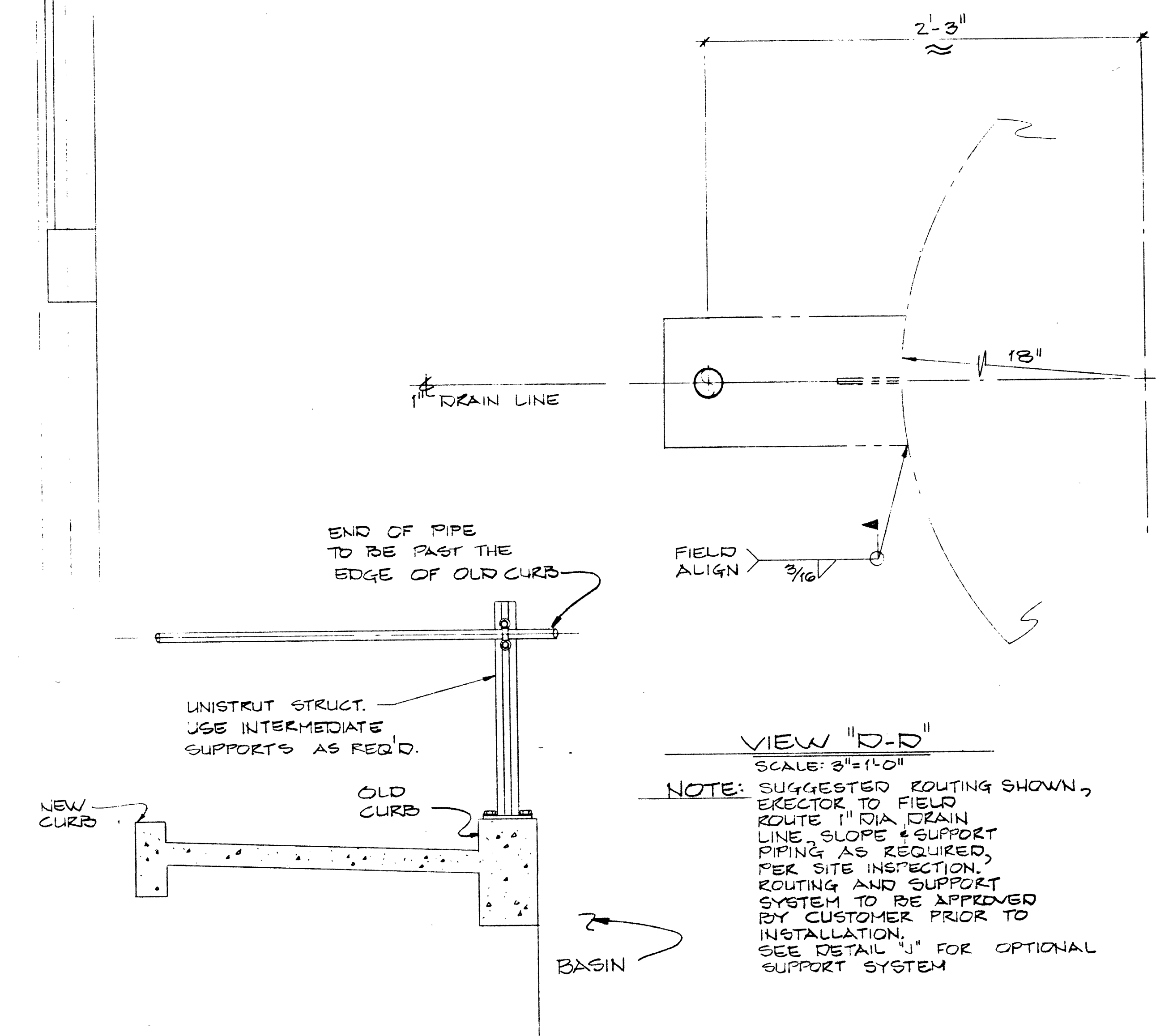
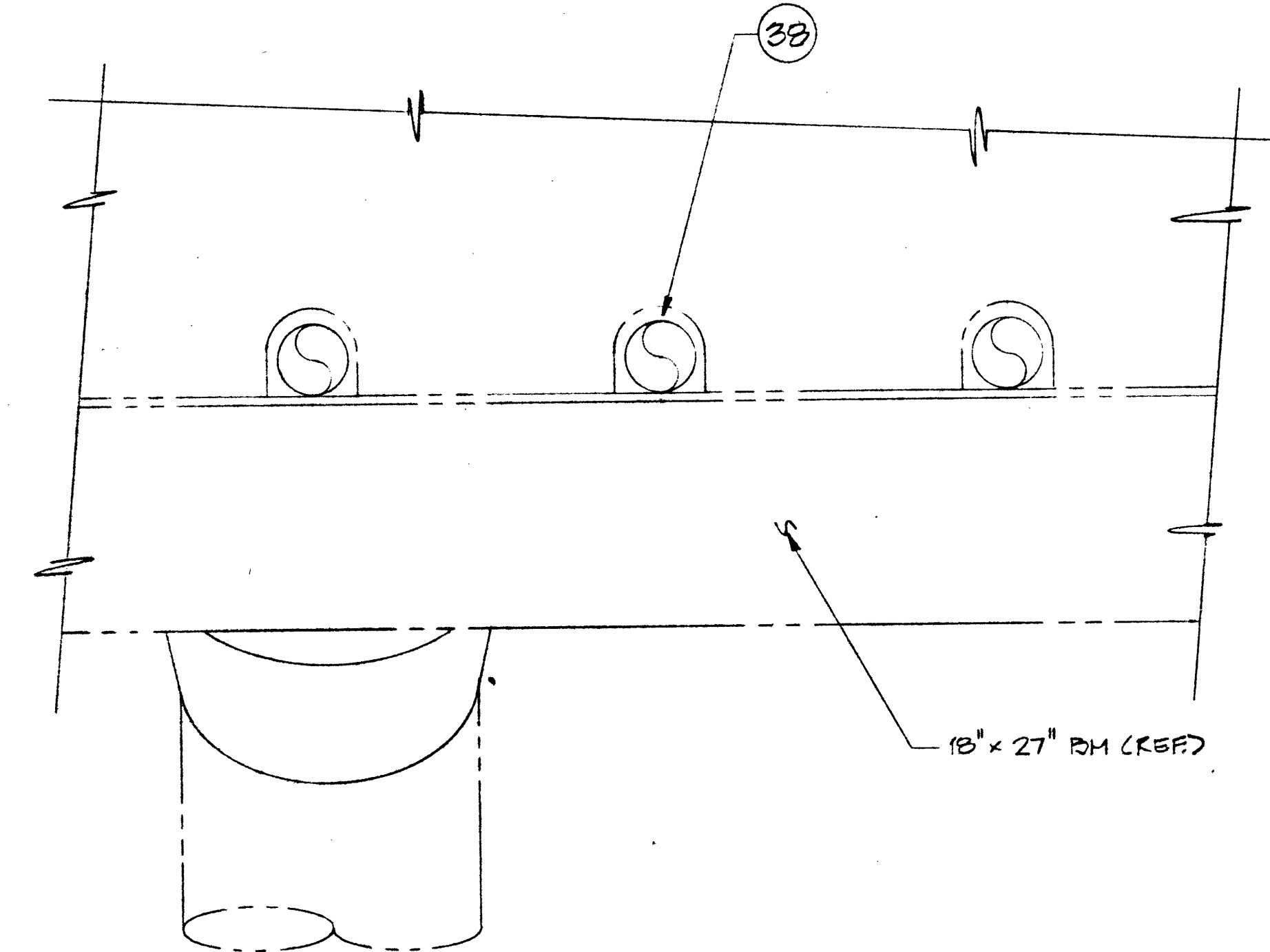


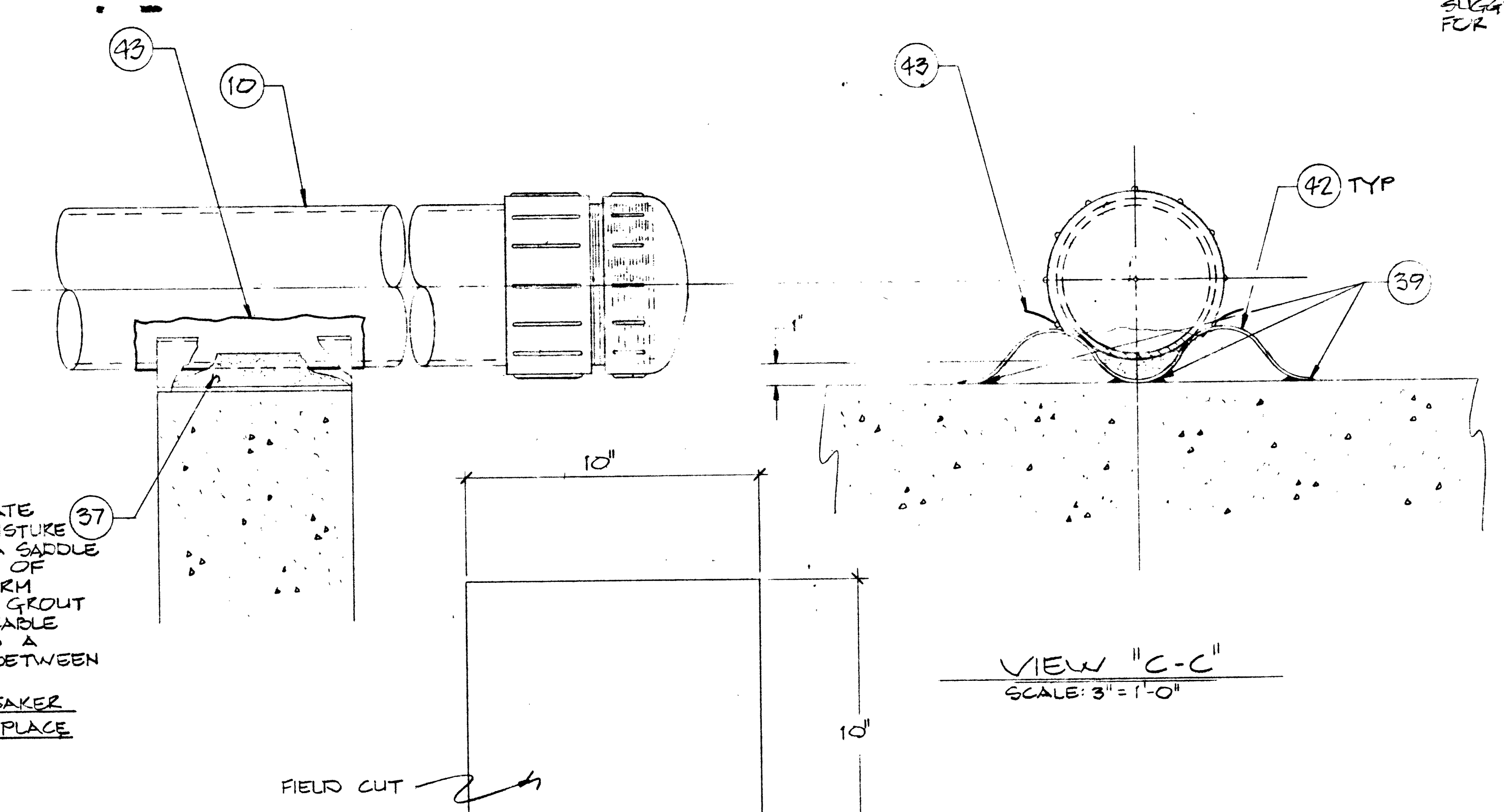
VIEW "A-A"
SCALE: 3/8"=1'-0"



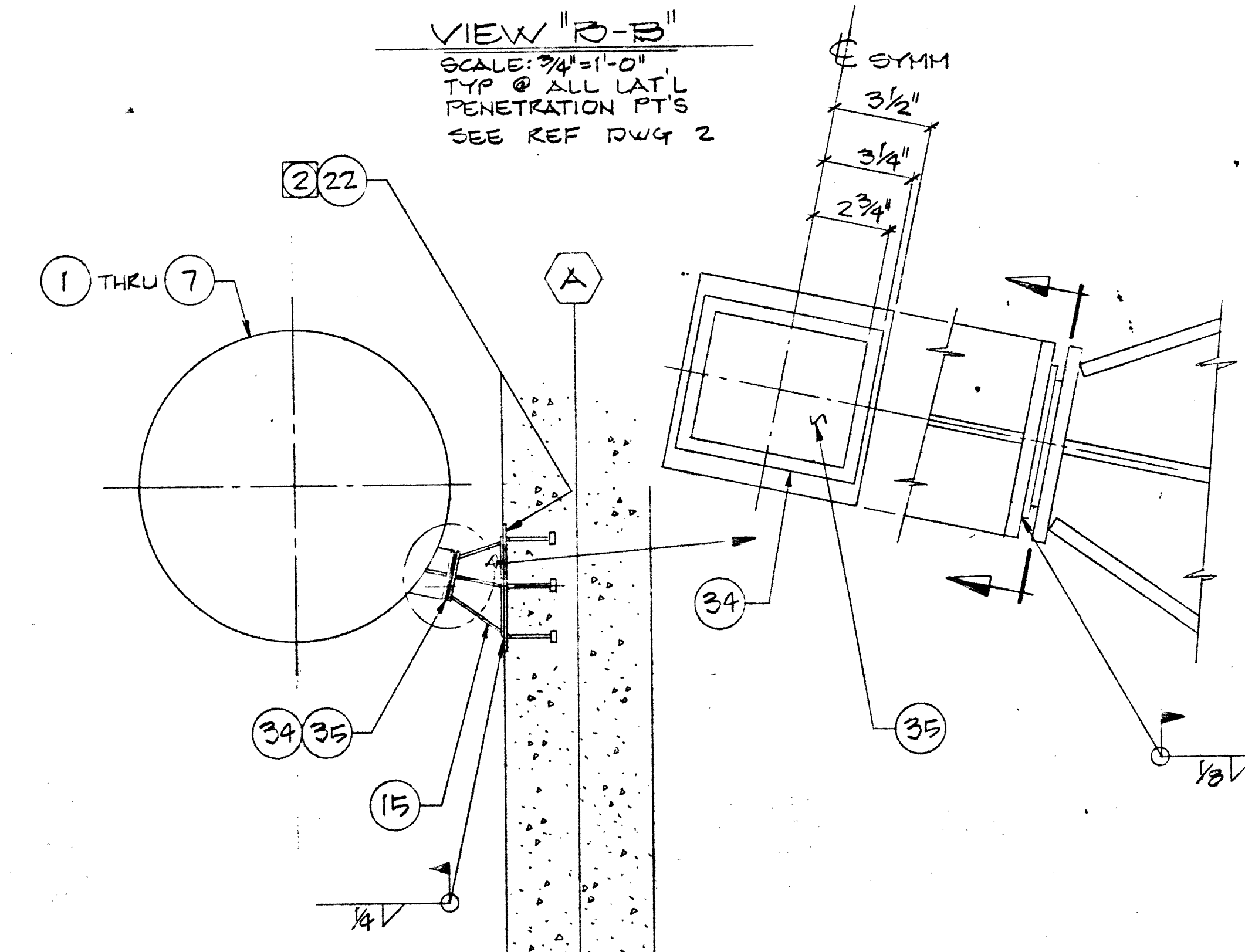
DETAIL "J"
NO SCALE
SUGGESTED SUPT SYSTEM FOR DRAIN @ RISER LOC. 1, 2 & 7.



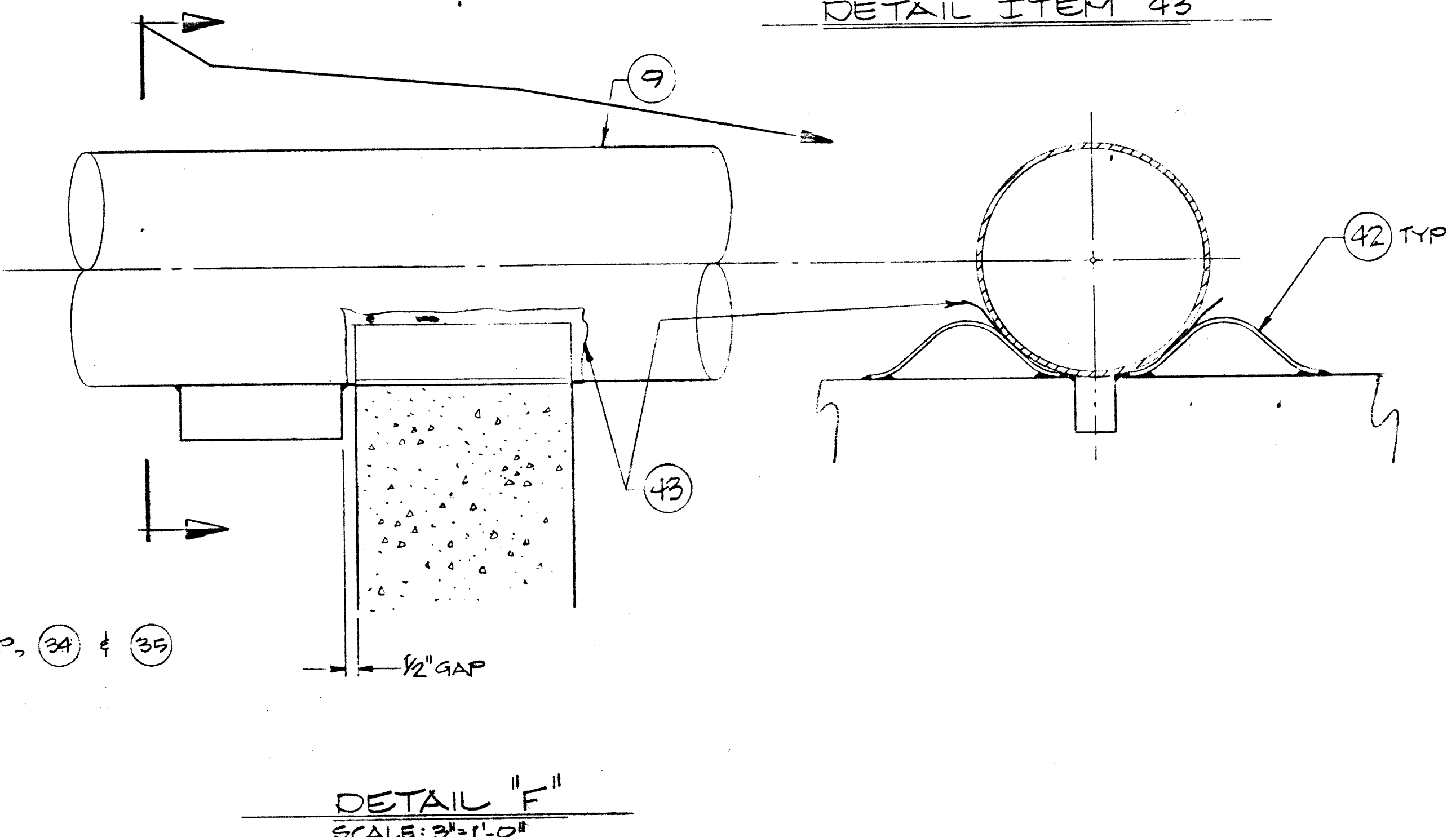
VIEW "B-B"
SCALE: 3/4"=1'-0"
TYP @ ALL LAT'L PENETRATION PTS
SEE REF DWG 2



VIEW "C-C"
SCALE: 3/8"=1'-0"



VIEW "E-E"
SCALE: 3/4"=1'-0"
TYP @ COL'S 3, 7, 11, 15, 19, 23, 27



11 87 016 20

NO EXCEPTIONS TAKEN
CORRECT AS NOTED & SUBMIT CORRECTED COPIES
RECEIVED FOR INFORMATION ONLY
Corrections or comments made on the shop drawings during the review do not relieve contractor from compliance with all requirements of the drawings and specifications. This check is only for review of general conformance with the information given in the contract documents. The contractor is responsible for coordinating and completing all details and dimensions, selecting fabrication processes and techniques of construction, coordinating his work with that of all other trades, and performing his work in a safe and satisfactory manner.
DATE: 12/1/88
BY: [Signature]

REJECTED
NO EXCEPTIONS TAKEN
CORRECT AS NOTED & SUBMIT CORRECTED COPIES
WILLIAMS CONSTRUCTION CO.
BY: [Signature]
DATE: 12/1/88

GRDA UNIT NO. 1 COOLING TOWER-CONTRACT 151
WILLIAMS CONSTRUCTION CO.
SHIP CONT NO. VIII B4
JOINT VENTURE OF GEA POWER COOLING SYSTEMS, INC. AND WILLIAMS CONSTRUCTION COMPANY

CEN Power Cooling Systems, Inc.
DISTRIBUTION ARRANGEMENT & DETAILS
PROPOSAL/CONTRACT NO. 88-219
SCALE NOTED
DRAWING NO. SH-T-2023
REV. 002-094