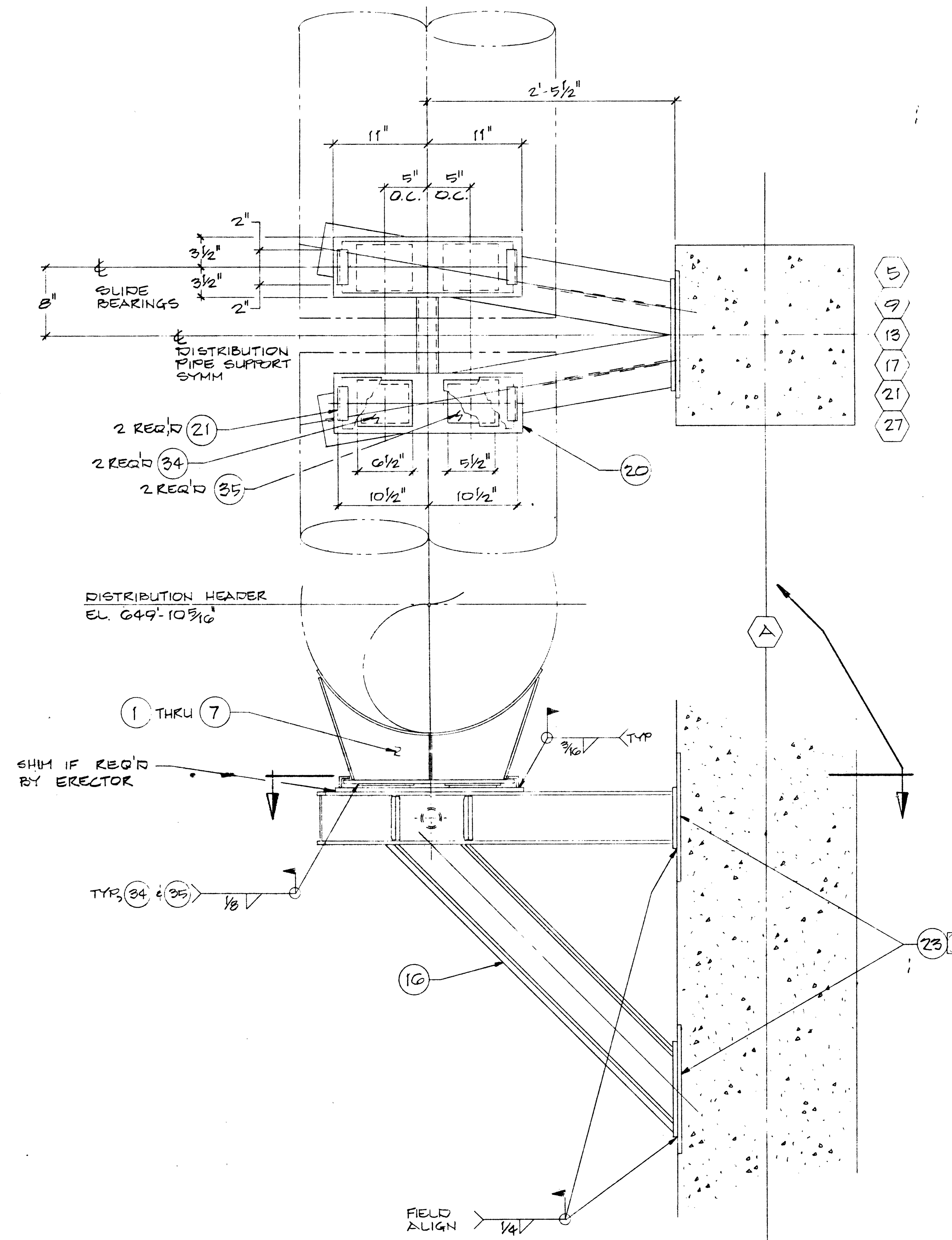
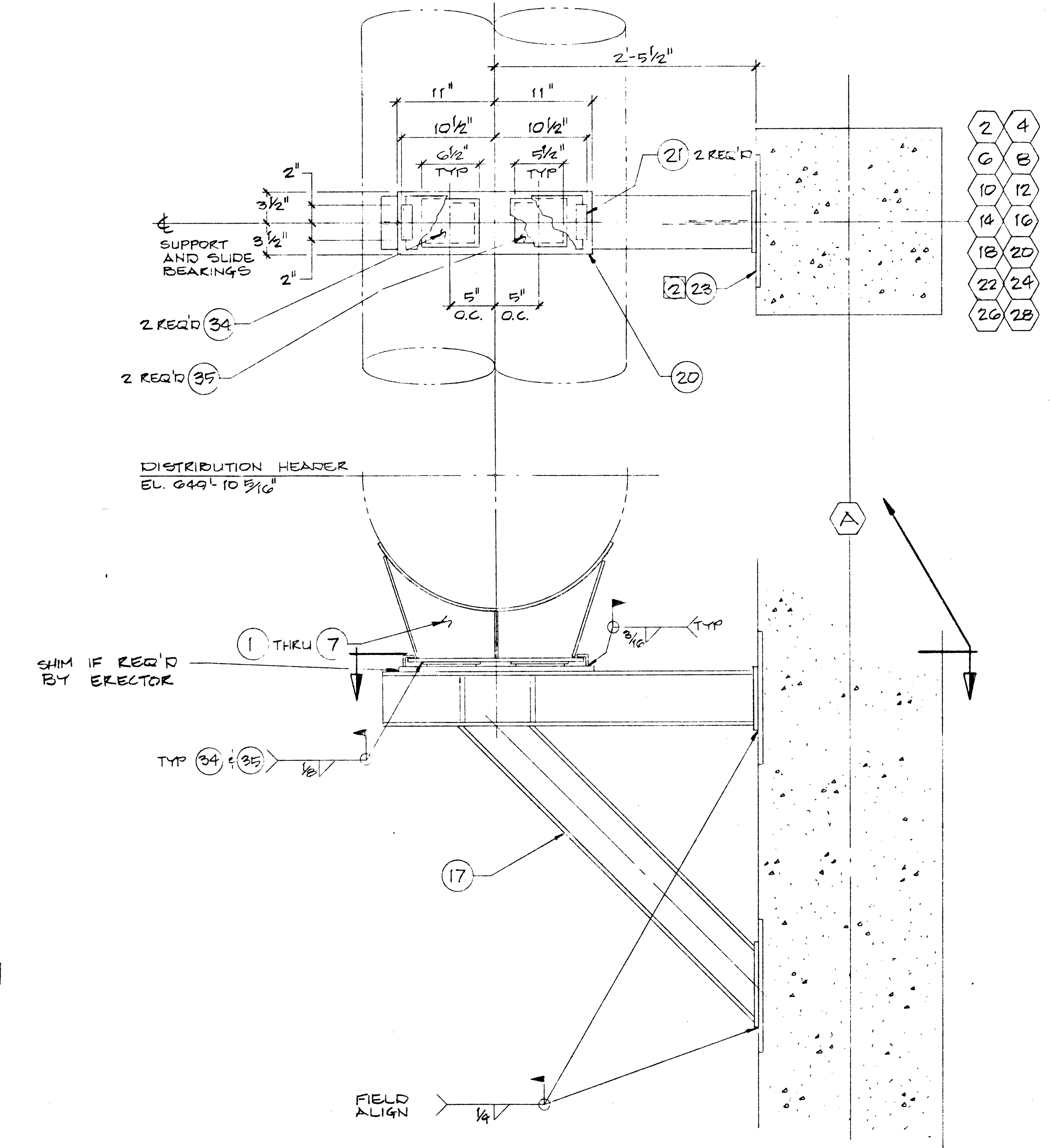


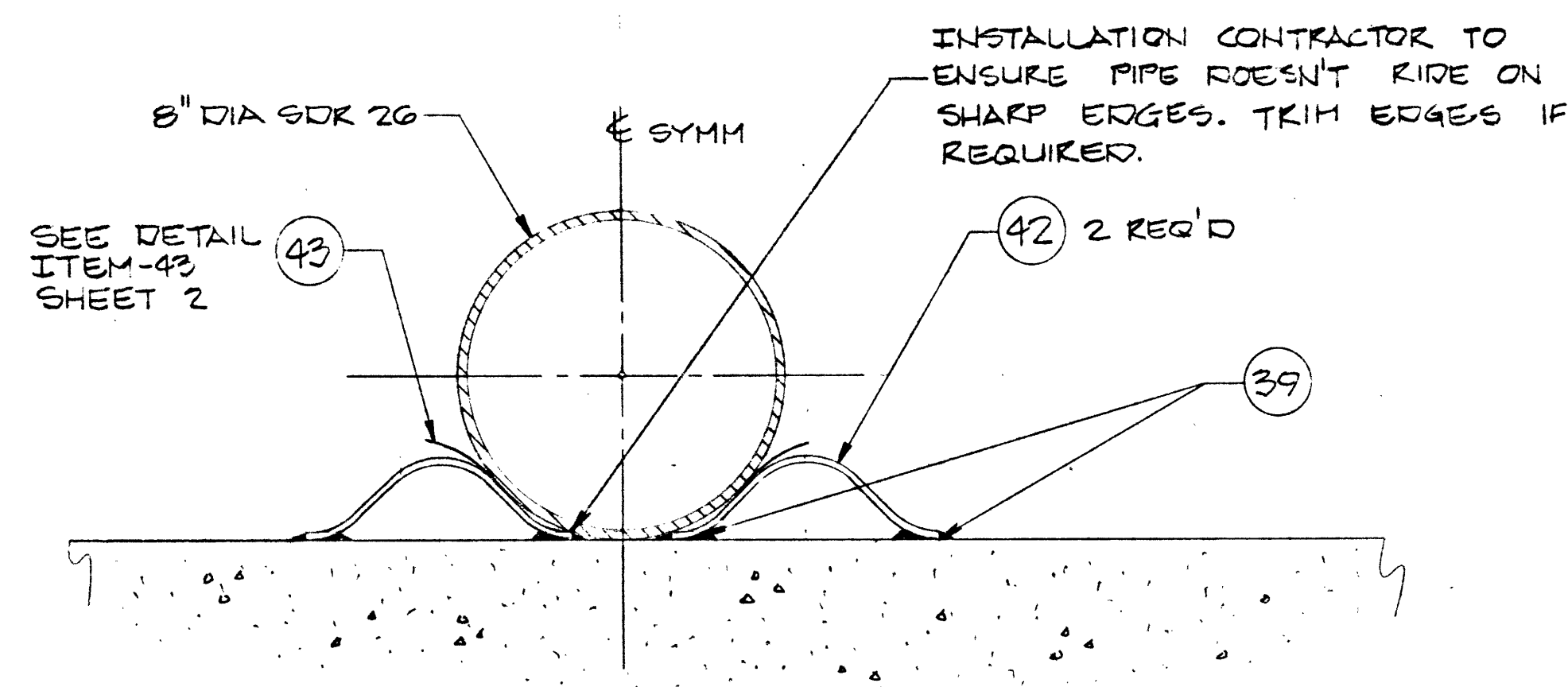
VIEW "K-K"
SCALE: 1/2"=1'-0"
1 REQ'D AS SHOWN @
COL 1-ITEM 18
1 REQ'D OPPOSITE @
COL 29-ITEM 19



VIEW "L-L"
SCALE: 1/2"=1'-0"
TYP @ COL'S 5, 9, 13,
17, 21 & 27



VIEW "M-M"
SCALE: 1/2"=1'-0"
TYP @ COL'S SHOWN ABOVE



SECTION "H-H"
SCALE: 3/4"=1'-0"
TYP 3 PLCS PER
8" LAT'L

11 87 016 20

NO EXCEPTIONS TAKEN
CORRECT AS NOTED & SUBMIT CORRECTED COPIES
REJECTED FOR INFORMATION ONLY
CORRECTIONS OR COMMENTS MADE ON THE SHOP DRAWINGS DURING THE REVIEW DO NOT RELIEVE THE CONTRACTOR FROM COMPLIANCE WITH THE REQUIREMENTS OF GENERAL CONDITIONS AND SPECIFICATIONS. THIS CHECK IS ONLY FOR THE PROJECT AND GENERAL COMPLIANCE WITH THE DESIGN CONCEPT OF THE CONTRACT DOCUMENTS. THE CONTRACTOR IS RESPONSIBLE FOR THE FABRICATION PROCESS AND TECHNIQUES OF CONSTRUCTION. CONSULTING ENGINEER'S WORK WITH THAT OF OTHER TRADES AND PERFORMING HIS WORK IN A SAFE AND SATISFACTORY MANNER.
BY: [Signature]
DATE: 2/15/84

REJECTED
NO EXCEPTIONS TAKEN
CORRECT AS NOTED & SUBMIT CORRECTED COPIES
WILLIAMS CONSTRUCTION CO.
BY: [Signature]
DATE: 12/12/84

GRDA UNIT NO. 1 COOLING TOWER-CONTRACT 151
GEA
BHPG COIT NO. V112B4
JOINT VENTURE OF GEA POWER COOLING SYSTEMS, INC. AND WILLIAMS CONSTRUCTION COMPANY

GEA
Power Cooling Systems, Inc.

DISTRIBUTION ARRANGEMENT AND DETAILS

PROPOSAL/CONTRACT NO. 88-213 SCALE NOTED DRAWING NO. SHEET 3 OF 3 REV. 002-004