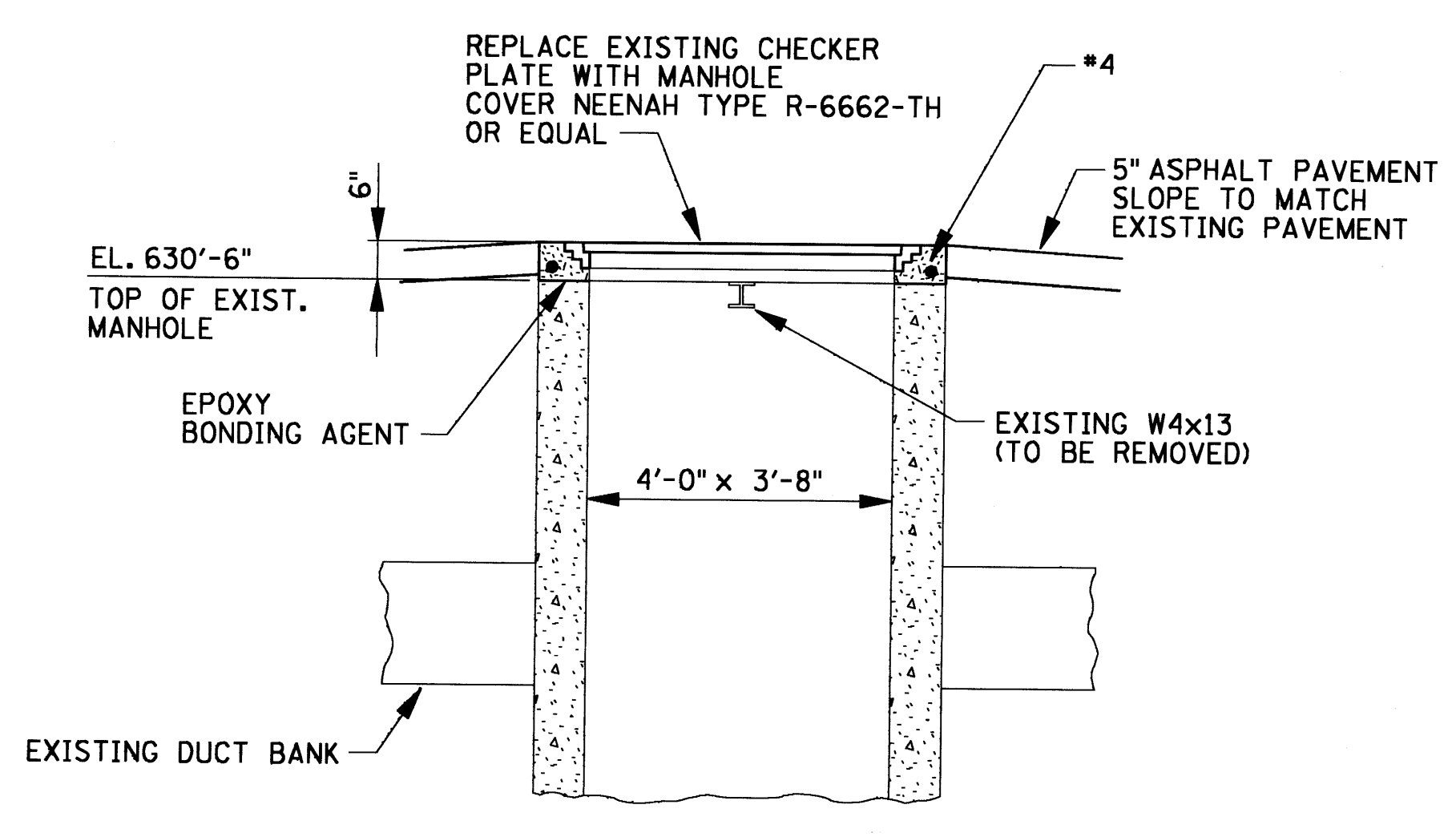
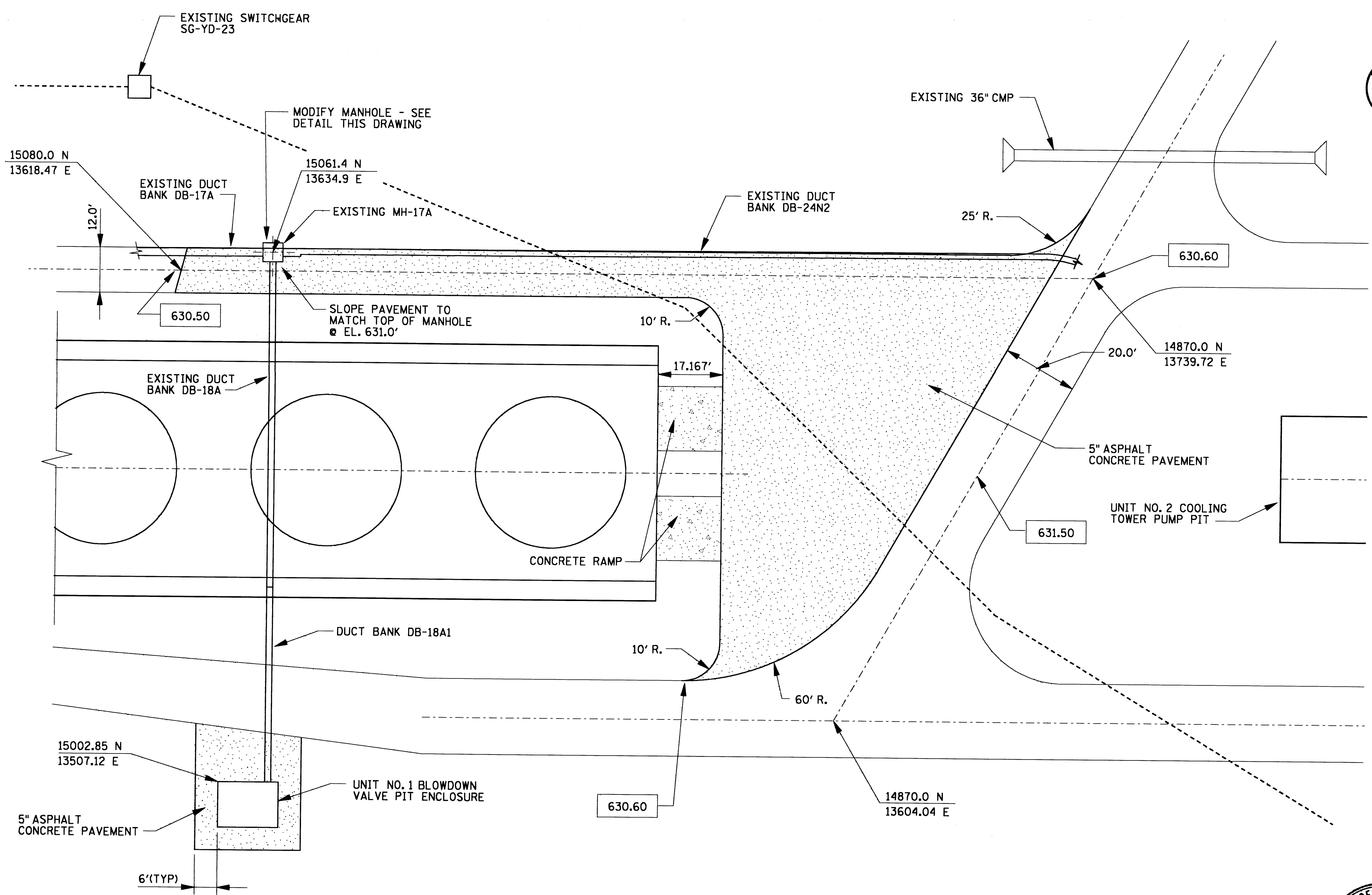


TEMPORARY CONSTRUCTION ACCESS ROAD

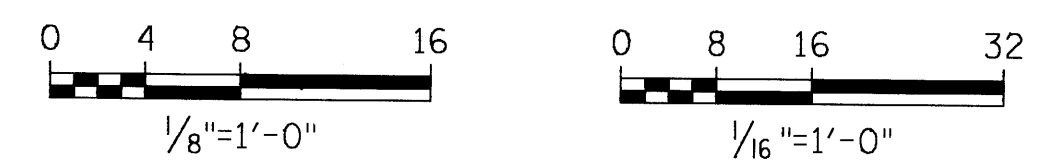
PLAN AT FIRE PROTECTION PUMP HOUSES
PUMP HOUSE 1A SHOWN, 1B SIMILAR
SCALE: 1/8"=1'-0"



ELEVATION - EXISTING
MH-15A, MH-16A, MH-17A
SCALE: 1/2"=1'-0"

PLAN AT SOUTH END OF COOLING TOWER
SCALE: 1/8"=1'-0"

NOTES:
ALL WORK ON THIS DRAWING BY CONTRACT 151 (EXCEPT AS NOTED).
FOR ADDITIONAL "NOTES" AND "REFERENCE DRAWINGS" SEE DRAWING COOL.
EPOXY BONDING AGENT SHALL BE SIKADUR 32, HI-MOD OR SIKADUR 81-12. PRODUCT SHALL BE USED IN ACCORDANCE WITH MANUFACTURER'S RECOMMENDATION.



REVISION		DWN APP DATE		REVISION		DWN APP DATE		DRAWN BY DATE		CHECKED BY DATE		DESIGNED BY DATE		APPROVED BY DATE		GRAND RIVER DAM AUTHORITY STATE OF OKLAHOMA COAL FIRED GENERATING STATION, UNIT NO. 1 490 MW		Cooling Tower Modifications SCALE: AS NOTED DWG. NO. 11-87-016-20 C002		REV	2	
1				2	RECORD DRAWING	NN JLC	2-16-90		C.V. STELZNER	4-19-88		AJAY SETH	5-31-88		W.N. HOLWAY	6-1-88	Benham-Holway Power Group A Division of the Benham Group, Inc.					
2				3	REDRAWN FOR ADDENDUM 151-1	CVS			JIM COOMBS	5-31-88							GRAND RIVER DAM AUTHORITY STATE OF OKLAHOMA COAL FIRED GENERATING STATION, UNIT NO. 1 490 MW		Cooling Tower Modifications SCALE: AS NOTED DWG. NO. 11-87-016-20 C002		REV	2