

Clarification or Amendment of Solicitation

Date of Issuance: March 28, 2025

¹Solicitation No. 2783

Purchase Request No. 6892

Clarification or Amendment No. 1

Solicitation due date and hours of offers is changed: No Yes, to: _____ CST/CDT

This document shall serve as official notice of ²Clarification or ³Amendment to the Solicitation identified above. Such notice is being provided to all vendors to which the original solicitation was sent. When a change(s) made to the solicitation materially impact a priced offer by vendors, vendors are to ensure that priced offer is accurate and reflects a change(s) identified in the amendment.

ISSUED BY:

Grand River Dam Authority
Purchasing Unit
PO Box 669
Chouteau, OK 74337

Jaclyn Porter
Contracting and Acquisitions Agent
918.256.0656
Phone Number
Jaclyn.porter@grda.com
E-Mail Address

Description of Amendment or Clarification:

a. This is to incorporate the following (this box expands based on size of text):

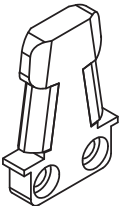
Amendment #1

Adding the PDF of Reversing SW Parts for the Specifications.

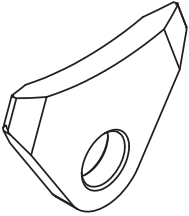
b. All other terms and conditions remain unchanged.

1. Solicitation means a request or invitation by GRDA for a vendor to submit a priced offer to sell acquisitions to GRDA. A solicitation may be a Request for Quote (RFQ), an Invitation to Bid (ITB), or a Request for Proposal (RFP).
2. Clarification to a solicitation means an additional explanation of all or part of a solicitation that does not change, alter, or supplement the solicitation.
3. An amendment to a solicitation means a written change, addition, correction, or revision to a solicitation.

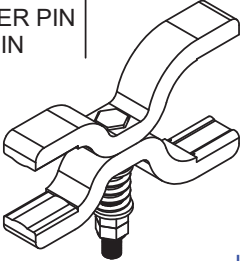
BILL OF MATERIALS				REVISIONS			
ITEM #	PART #	QNTY	DESCRIPTION	REV	DESCRIPTION	APPRVD	DATE
1	7261020105	54	SEL SW FIXED STA CONTACT	B	CHG BOM (ITEM 4 WAS 7261010112, ITEM 5 WAS 7261010113, ITEM 6 WAS 7261010114, ADD ITEMS 8, 9, 10, 11, 12 & 13)	RB	03/05/13
2	7261020116	6	SEL STATIONARY CONTACT #116	C	CHG BOM (50044-7 WAS QTY OF 1)	JW	06/17/20
3	7261020148	12	CURRENT COLLECTOR ASSEMBLY	D	ADD NOTE 2 TO CATALOG PAGE	JW	07/07/20
4	7261012111	3	MOVING BASE ASSY (UPDATE)				
5	7261010115	3	MVG ARC w/ 4 ROLLER & BOARD				
6	7261010117	3	MVG CTR CONTACT w/ 2 RLR ASSY				
7	7261010204	6	CURRENT COLL CONTACT BSHG				
8	7261010064	1	DRIVE SHAFT SHORT (T) END PH				
9	7261010065	2	DRIVE SHAFT LG (T) 1ST & 2ND PH				
10	16555	6	M5 X 0.8 X 16mm LG SHCS				
11	17127-1	6	5mm ID X 9mm OD SS LOCK WSHR				
12	50044-7	3	7MM TO 6MM X 50MM LNG TAPER PIN				
13	50044-8	1	8MM TAPERED REAMER FOR PIN				



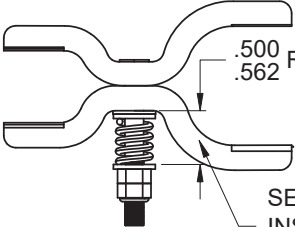
ITEM # 1
OEM # 0765500R0001
NMC # 7261020105



ITEM # 2
OEM # 0660133R0004
NMC # 7261020116

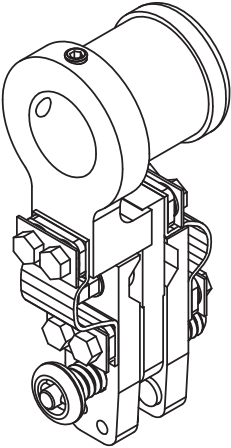


ITEM # 3
OEM # 0665109R0001
NMC # 7261020148

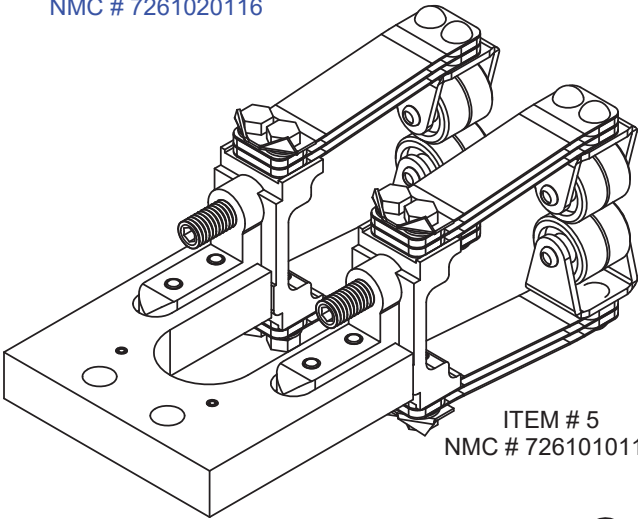


ITEM # 11
NMC # 17127-1

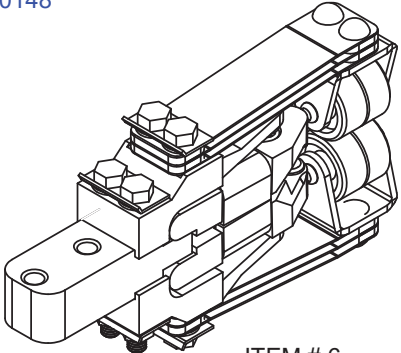
.500 REF
.562
SEE NOTE #1
INSTALLATION
DIMENSION



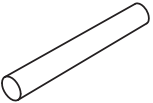
ITEM # 4
OEM #0665108S0007
NMC # 7261012111



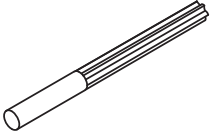
ITEM # 5
NMC # 7261010115



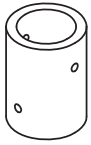
ITEM # 6
NMC # 7261010117



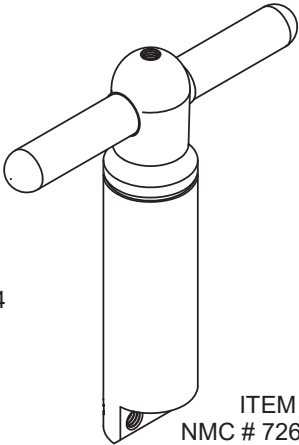
ITEM # 12
NMC # 50044-7



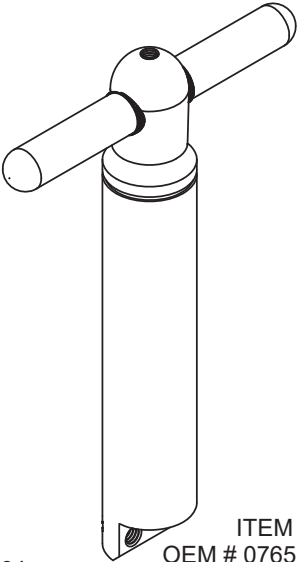
ITEM # 13
NMC # 50044-8



ITEM # 7
NMC # 7261010204




ITEM # 8
NMC # 7261010064



ITEM # 9
OEM # 0765164R0001
NMC # 7261010065

*NMC-DESIGN 1 DENOTES UPGRADE



NORMANDY MACHINE COMPANY INC.
815 EAST CHERRY STREET, TROY MISSOURI 63379

WAUKESHA UZD-LOAD TAP CHANGER KIT
UPGRADE w/ SHAFTS & CHANGE-OVER MTG

DRWG. NO. 7261600000

MANUFACTURER
WAUKESHA

MAN. PART NO.

TYPE UZD-LOAD TAP CHANGER

EQUIPMENT RATING

NOTES:

- 12 lbs. ±1 lb. WHILE ON BOTH MATING CONTACTS.
- USE LETTER "C" DRILL FOR TAPER REAMER.